

# **Boa Ski Inc.**

Catalogue de Références 1970

Quick Reference Catalog 1970

**Pièces originales pour Auto-Neige "Boa-Ski"  
moteurs Hirth et carburateurs Tillotson**

**Original Equipment for "Boa-Ski" Snowmobiles,  
Hirth engines and Tillotson Carburetors.**



## **Boa Ski Inc.**

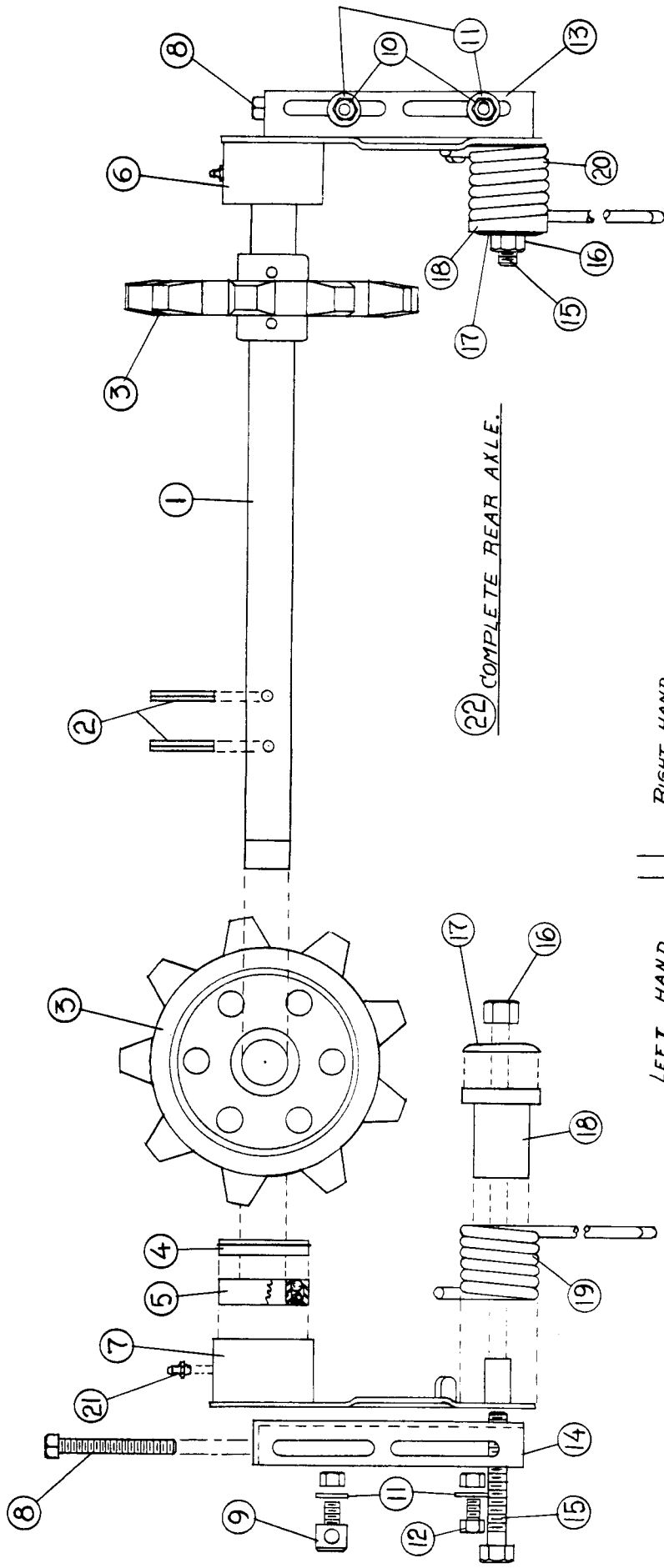
C.P. / P.O. Box 7, La Guadeloupe,  
Cté Frontenac Cty.,  
Quebec.

Tel. 418-459-3415  
Imprimé au Canada  
Litho. in Canada

RÉFÉRENCE DE NUMÉROS DES PIÈCES / PARTS LIST NUMBERS

B-101

| ESSIEU ARRIÈRE                | REF. No. | PART No. | REAR AXLE            |
|-------------------------------|----------|----------|----------------------|
| Essieu arrière                | 1        | 425      | Rear axle            |
| Goupille                      | 2        | 426      | Roll-pin             |
| Engrenage caoutchouc          | 3        | 4270     | Rear rubber sprocket |
| Joint d'étanchéité            | 4        | 428      | Grease seal          |
| Coussinet à bille             | 5        | 429      | Ball bearing         |
| Plaque d'articulation gauche  | 6        | 430      | Link plate L.H.      |
| " " droite                    | 7        | 431      | " " R.H.             |
| Boulon                        | 8        | 432      | Bolt                 |
| Boulon d'ajustement           | 9        | 433      | Eye bolt             |
| Ecrou de blocage              | 10       | 434      | Lock nut             |
| Rondelle                      | 11       | 435      | Washer               |
| Boulon 12                     | 12       | 444      | Bolt                 |
| Angle d'ajustement droit      | 13       | 436      | Adjuster angle R.H.  |
| " " gauche                    | 14       | 437      | " " L.H.             |
| Boulon                        | 15       | 438      | Bolt                 |
| Ecrou de blocage              | 16       | 442      | Lock nut             |
| Rondelle                      | 17       | 441      | Washer               |
| Coussinet de caoutchouc       | 18       | 443      | Rubber bushing       |
| Ressort d'articulation gauche | 19       | 440      | Link spring L.H.     |
| " " droit                     | 20       | 439      | " " R.H.             |
| Graisser                      | 21       | 445      | Grease fitting       |
| Essieu arrière complet        | 22       | 4460     | Rear axle assembly   |



22 COMPLETE REAR AXLE.

LEFT HAND  
COTE GAUCHE

RIGHT HAND  
COTE DROIT



**BOA SKI INC.**

La Guadeloupe — Frontenac — Quebec

REAR AXLE

Date 21-4-68

Drawn by: J. Grenier

DWG No

**B-101**

Approved by:

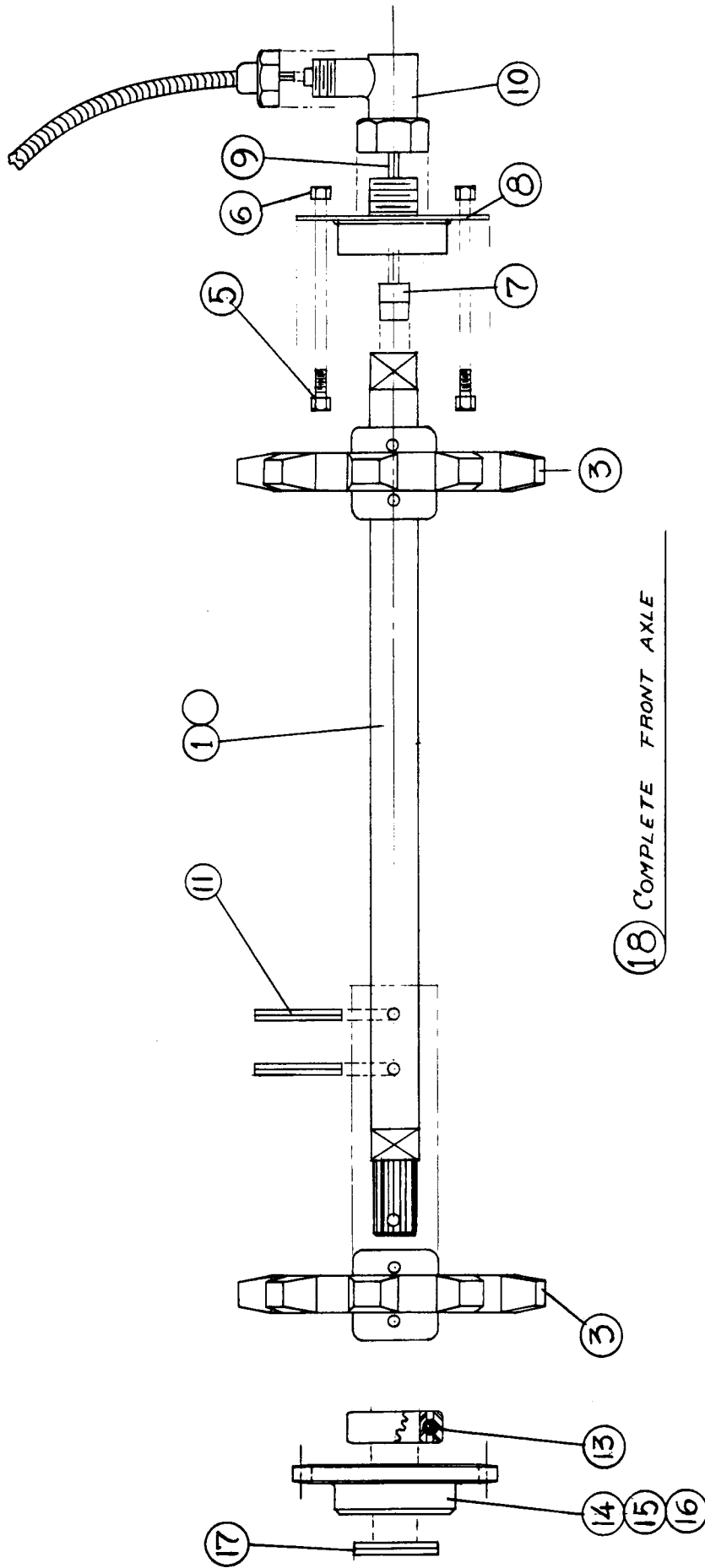
Not to scale

**MODEL 70'**

RÉFÉRENCE DE NUMÉROS DES PIÈCES / PARTS LIST NUMBERS

B-102

| ESSIEU AVANT                 | REF.No. | PART No. | FRONT AXLE                    |
|------------------------------|---------|----------|-------------------------------|
| Essieu 1 cylindre            | 1       | 4000     | Drive axle 1 cylinder         |
| "  2 cylindres               | 2       | 4001     | "  "  2 cylinders             |
| Engrenage de nylon           | 3       | 4010     | Nylon drive sprocket          |
| Boulon                       | 6       | 4030     | Lock nut                      |
| Adapteur                     | 7       | 409      | Drive axle cable adaptor      |
| Chapeau coussinet avec plate | 8       | 4080     | Bearing housing adaptor plate |
| Cable adapteur               | 9       | 4081     | Adapter cable                 |
| Rectificateur de vitesse     | 10      | 410      | Angle Drive                   |
| Goupille                     | 11      | 404      | Roll pin                      |
| Coussinet à bille            | 13      | 405      | Ball Bearing                  |
| Roue d'engrenage 21dt        | 14      | 4070     | Sprocket 21th                 |
| "  "  22dt                   | 15      | 4071     | "  22th                       |
| "  "  23dt                   | 16      | 4072     | "  23th                       |
| Goupille                     | 17      | 4041     | Roll pin                      |
| Essieu avant complet         | 18      | 4120     | Front axle assembly           |



18 COMPLETE FRONT AXLE

**BOA SKI INC.**

La Guadeloupe -- Frontenac -- Quebec

**FRONT AXLE**

Date 21-4-69

DWG No

Drawn by: J. Grenier

**B-102**

Approved by:

Not to scale

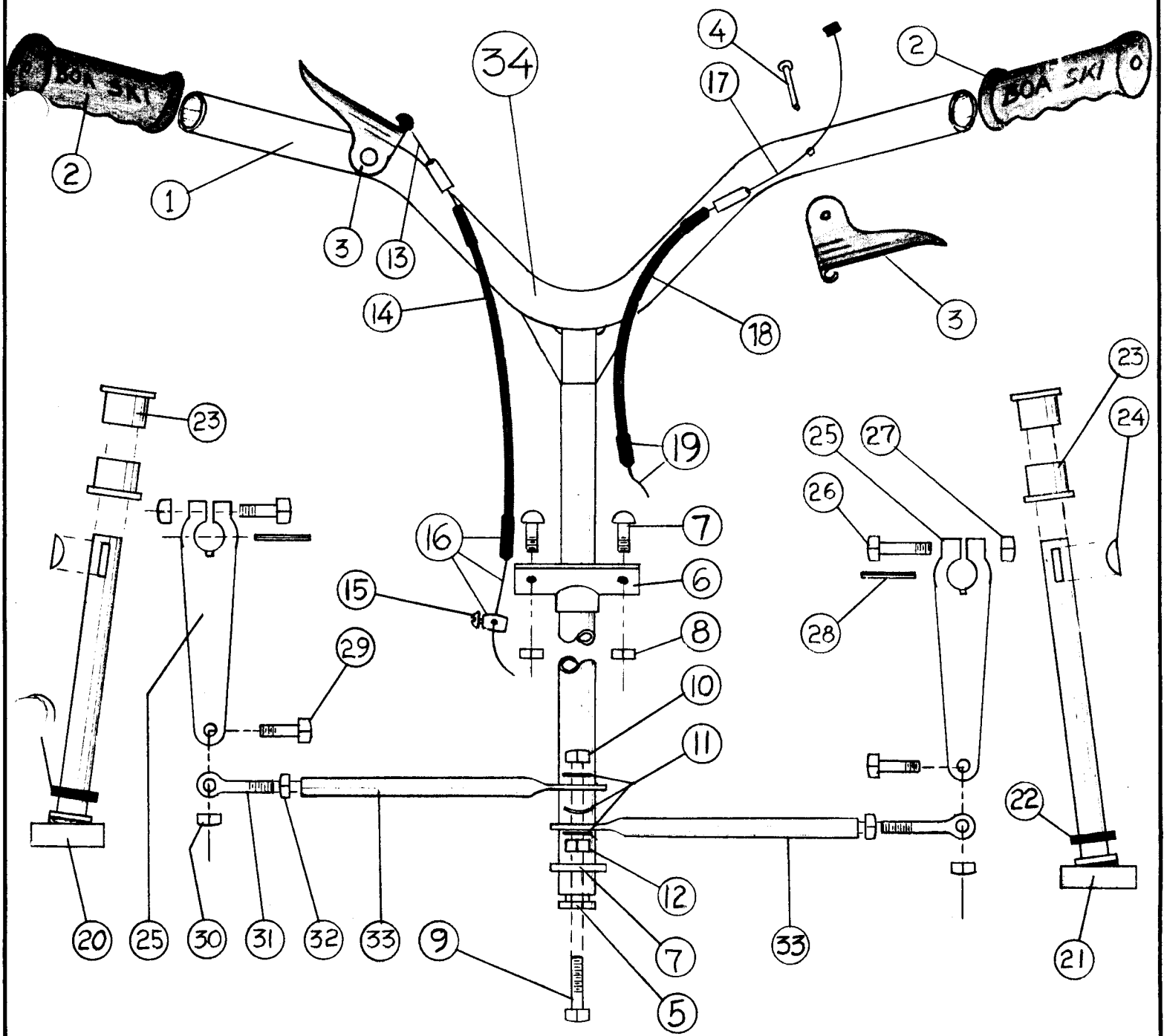
**MODEL 70'**



RÉFÉRENCE DE NUMÉROS DES PIÈCES / PARTS LIST NUMBERS

B-103

| GUIDON                   | REF. No. | PART No. | HANDLE                  |
|--------------------------|----------|----------|-------------------------|
| Guidon                   | 1        | 1900     | Handle Bar              |
| Poignée                  | 2        | 191      | Handle bar grip         |
| Clanchette               | 3        | 192      | Lever                   |
| Rivet                    | 4        | 193      | Rivet                   |
| Boulon hexagone          | 7        | 199      | Hex Bolt                |
| Ecrou de blocage         | 8        | 200      | Lock nut                |
| Boulon                   | 9        | 201      | Hex Bolt                |
| Ecrou de blocage         | 10       | 202      | Lock nut                |
| Rondelle de tension      | 11       | 203      | Spring washèr           |
| Ecrou                    | 12       | 2020     | Hex nut                 |
| Cable de frein           | 13       | 205      | Brake cable             |
| Enveloppe cable de frein | 14       | 206      | Brake cable housing     |
| Barrure cable de frein   | 15       | 207      | Brake cable lock        |
| Cable de frein complet   | 16       | 207C     | Complete Brake cable    |
| Cable à gaz              | 17       | 208      | Throttle cable          |
| Enveloppe de cable à gaz | 18       | 209      | Throttle cable housing  |
| Cable à gaz comp.        | 19       | 2090     | Complete throttle cable |
| Jambe de conduite G.     | 20       | 210      | Ski leg L.H.            |
| " " " D.                 | 21       | 211      | Ski leg R.H.            |
| Rondelle                 | 22       | 2110     | Trust washer            |
| Coussinet de bronze      | 23       | 212      | Oilite bushing          |
| Clé demi-lune            | 24       | 213      | Woodruff key            |
| Bras de conduite         | 25       | 214      | Steering arm            |
| Boulon hexagone          | 26       | 215      | Hex bolt                |
| Ecrou de blocage         | 27       | 216      | Lock nut                |
| Goupille                 | 28       | 217      | Roll pin                |
| Boulon hexagone          | 29       | 218      | Hex bolt                |
| Ecrou de blocage         | 30       | 219      | Lock nut                |
| Joint pivot              | 31       | 220      | Tie rod end             |
| Ecrou                    | 32       | 221      | Nut                     |
| Joint d'accouplement     | 33       | 2220     | Tie rod                 |
| Guidon complet           | 34       | 2230     | Complete handle bar.    |



LEFT SIDE.

RIGHT SIDE.

STEERING ASS'Y.



|                                    |            |
|------------------------------------|------------|
| <b>BOA SKI</b> INC.                |            |
| La Guadeloupe - Frontenac - Quebec |            |
| <b>STEERING</b>                    |            |
| Date                               | 21-5-69    |
| Drawn by:                          | J. Grenier |
| Approved by:                       |            |
| <b>B-103</b>                       |            |
| scale _____                        |            |

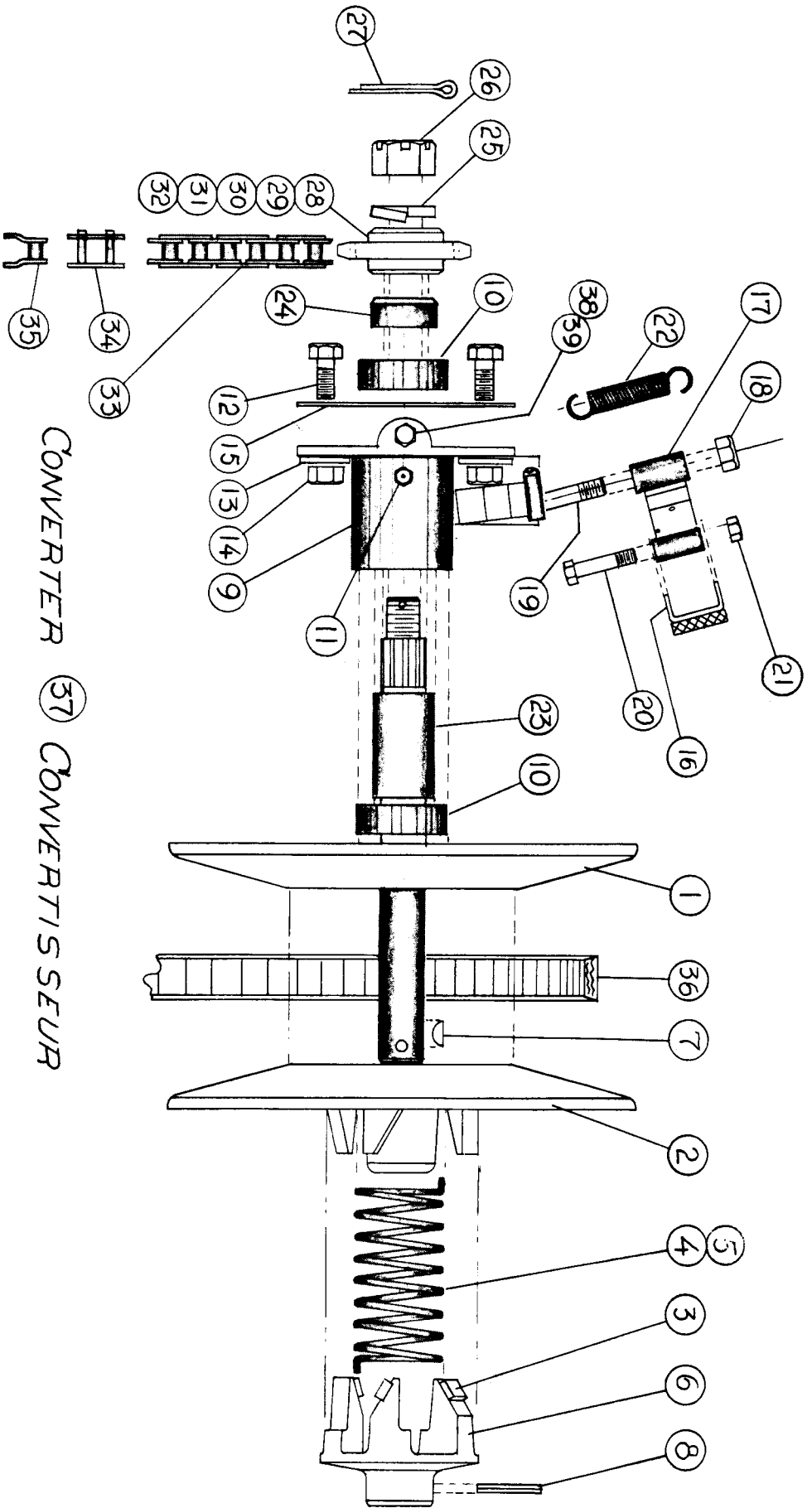
**MODEL 70'**

RÉFÉRENCE DE NUMÉROS DES PIÈCES / PARTS LIST NUMBERS

B-104

| CONVERTISSEUR            | REF. No. | PART No. | CONVERTER             |
|--------------------------|----------|----------|-----------------------|
| Arbre du convertisseur   | 1        | 3250     | Converter shaft       |
| Plaque mobile            | 2        | 326      | Sliding plate         |
| Coussin de nylon         | 3        | 327      | Nylon insert          |
| Ressort à torsion légère | 4        | 328      | Torsion spring light  |
| Ressort à torsion lourde | 5        | 3280     | Torsion spring heavy  |
| Noyau à came             | 6        | 329      | Converter cam         |
| Clé demi-lune            | 7        | 330      | Woodruff key          |
| Goupille                 | 8        | 3310     | Roll pin              |
| Palier du convertisseur  | 9        | 3320     | Converter bearing hub |
| Coussinet à bille        | 10       | 333      | Ball bearing          |
| Graisser                 | 11       | 334      | Grease fitting        |
| Boulon                   | 12       | 3340     | Bolt                  |
| Rondelle                 | 13       | 3341     | Washer                |
| Ecrou de blocage         | 14       | 3342     | Lock nut              |
| Joint d'étanchéité       | 15       | 3343     | Bearing hub gasket    |
| Sabot de frein           | 16       | 352      | Brake shoe            |
| Bras de frein            | 17       | 355      | Brake arm             |
| Ecrou de blocage         | 18       | 356      | Lock nut              |
| Boulon                   | 20       | 353      | Bolt                  |
| Ecrou de blocage         | 21       | 354      | Lock nut              |
| Ressort de tension       | 22       | 357      | Return spring         |
| Espaceur                 | 23       | 3370     | Spacer                |
| Espaceur                 | 24       | 3440     | Spacer                |
| Rondelle                 | 25       | 3600     | Lock washer           |
| Ecrou crénelé            | 26       | 3480     | Castelated nut        |
| Goupille                 | 27       | 3481     | Cotter pin            |
| Roue d'engrenage 9dt     | 28       | 338      | Sprocket 9th          |
| " " 10dt                 | 29       | 339      | " 10th                |
| " " 11dt                 | 30       | 340      | " 11th                |
| " " 12dt                 | 31       | 341      | " 12th                |
| " " 13dt                 | 32       | 342      | " 13th                |
| Chaine 21dt              | 33       | 345      | Drive chain 21th      |
| Chaine 23dt              | 33       | 3451     | Drive chain 23th      |
| Maille patente           | 34       | 346      | Connecting link       |
| Demi-maille              | 35       | 347      | Offset link           |
| Courroie commande        | 36       | 358      | Drive belt            |
| Convertisseur complet    | 37       | 3610     | Converter assembly    |
| Boulon                   | 38       | 3611     | Bolt                  |
| Ecrou                    | 39       | 3612     | Nut                   |
| Garniture de frein       | 40       | 350      | Brake lining          |
| Rivet                    | 41       | 351      | Rivet                 |
| Coussinet de bronze      |          | 3510     | Oilite bushing        |





CONVERTER 37 CONVERTISSSEUR

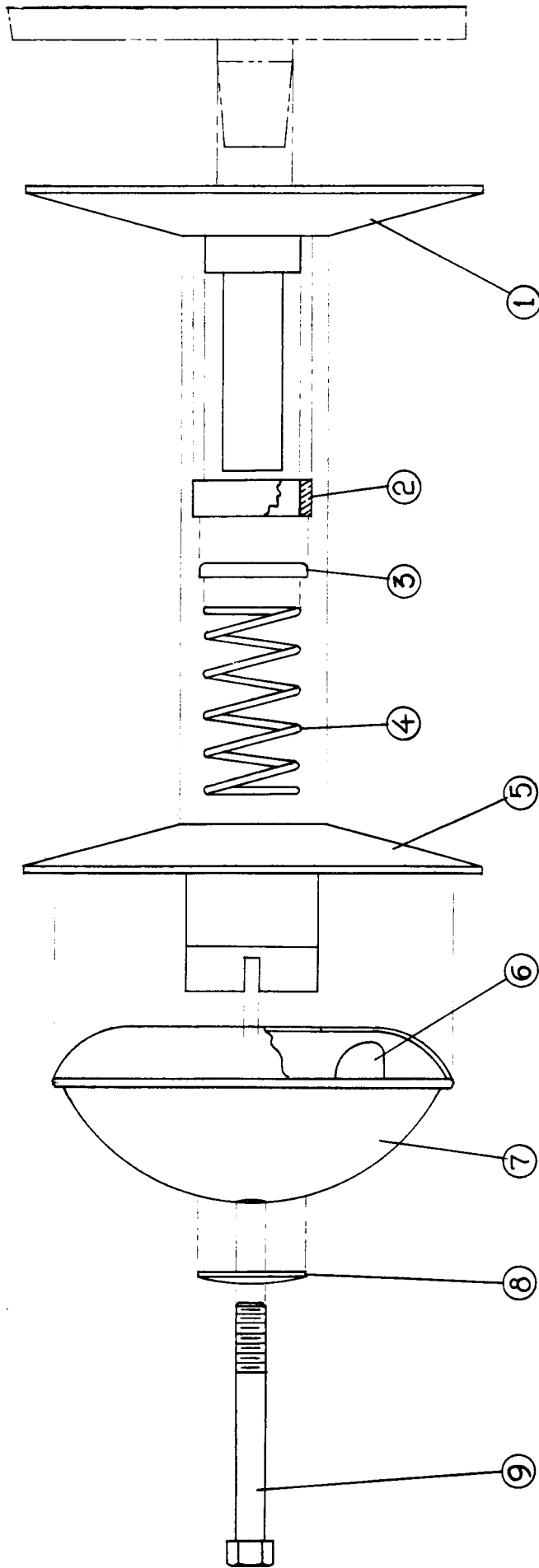
MODEL 70'

|                                    |              |
|------------------------------------|--------------|
| <b>BOA SKI INC.</b>                |              |
| La Guadeloupe - Frontenac - Quebec |              |
| <b>CONVERTER</b>                   |              |
| Date                               | 27-4-69      |
| Drawn by:                          | J. Grenier   |
| Approved by:                       |              |
| DWG No                             | <b>B-104</b> |
| scale                              |              |

RÉFÉRENCE DE NUMÉROS DES PIÈCES / PARTS LIST NUMBERS

B-105

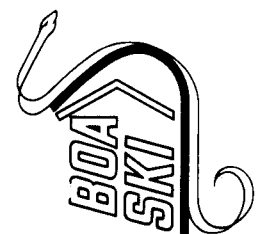
| EMBAYAGE DE COMMANDE   | REF. No. | PART No. | DRIVE CLUTCH          |
|------------------------|----------|----------|-----------------------|
| Arbre principal        | 1        | 375      | Main shaft            |
| Coussinet bronze       | 2        | 376      | Oilite idler bushing  |
| Retenu du ressort      | 3        | 377      | Spring holder         |
| Ressort de compression | 4        | 378      | Compression spring    |
| Plaque mobile          | 5        | 379      | Sliding plate         |
| Pesée                  | 6        | 380      | Centrifugal weight    |
| Régulateur centrifuge  | 7        | 3810     | " regulator           |
| Rondelle               | 8        | 382      | Washer                |
| Bouillon               | 9        | 383      | Bolt                  |
| Embrayage complet      | 10       | 3840     | Drive clutch assembly |
| Arbre principal 246cc  | 11       | 3841     | Main shaft 246cc      |



10 COMPLETE DRIVE CLUTCH

|                                    |  |              |              |
|------------------------------------|--|--------------|--------------|
| <b>BOA SKI INC.</b>                |  | DWG No       | <b>B-105</b> |
| La Guadeloupe - Frontenac - Quebec |  | Date         |              |
| <b>DRIVE CLUTCH</b>                |  | Drawn by:    | J. Grenier   |
|                                    |  | Approved by: |              |

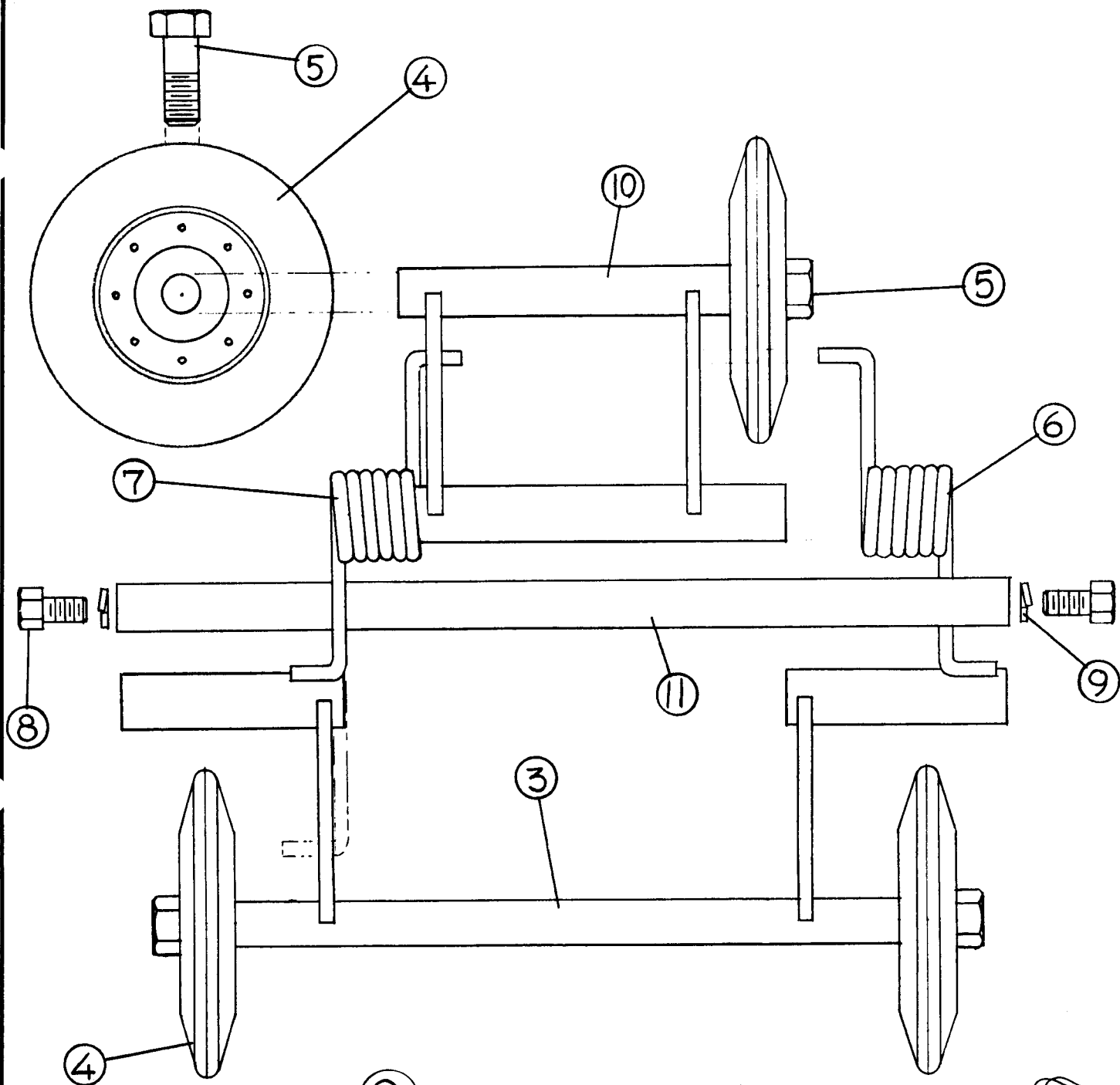
**MODEL 70'**



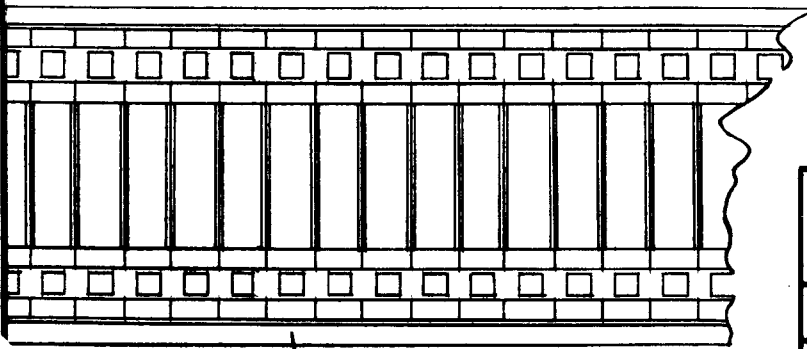
RÉFÉRENCE DE NUMÉROS DES PIÈCES / PARTS LIST NUMBERS

B-106

| SUSPENSION          | REF. No. | PART No. | SUSPENSION             |
|---------------------|----------|----------|------------------------|
| Chenille            | 1        | 460      | Track                  |
| Suspension complète | 2        | 461      | Suspension assembly    |
| Support extérieur   | 3        | 462      | External support       |
| Roue de caoutchouc  | 4        | 463      | Rubber wheel           |
| Boulon              | 5        | 464      | Bolt                   |
| Ressort droit       | 6        | 465      | Suspension spring L.H. |
| Ressort gauche      | 7        | 466      | " " R.H.               |
| Boulon              | 8        | 467      | Bolt                   |
| Rondelle            | 9        | 468      | Lock washer            |
| Support intérieur   | 10       | 470      | Internal support       |
| Arbre               | 11       | 469      | Aluminium shaft        |



② COMPLETE SUSPENSION



①

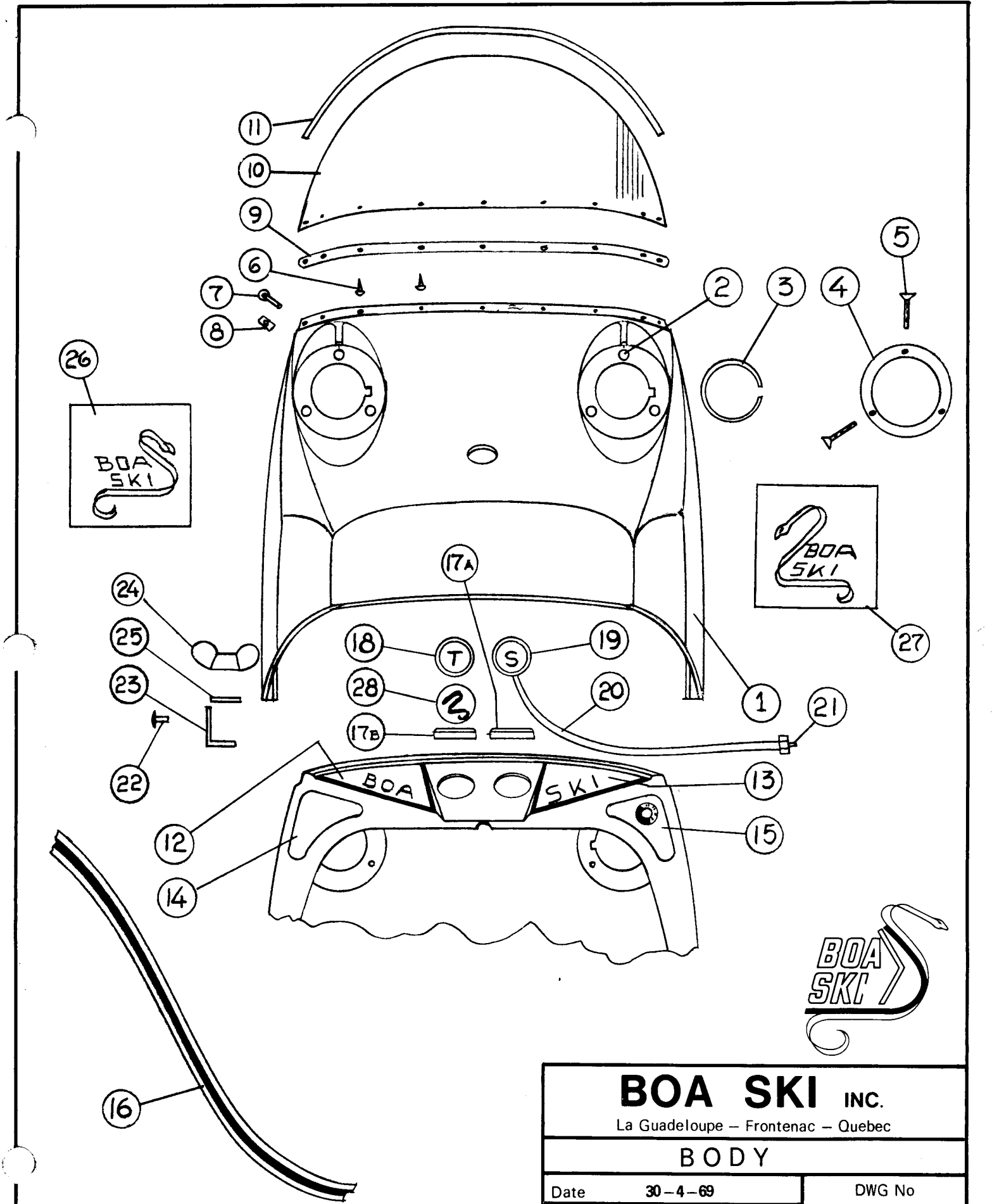
**MODEL 70'**

|                                    |              |
|------------------------------------|--------------|
| <b>BOA SKI INC.</b>                |              |
| La Guadeloupe - Frontenac - Quebec |              |
| <b>SUSPENSION</b>                  |              |
| Date                               | 21-4-69      |
| Drawn by:                          | J. Grenier   |
| Approved by:                       |              |
| DWG No                             | <b>B-106</b> |
| Not to scale                       |              |

RÉFÉRENCE DE NUMÉROS DES PIÈCES / PARTS LIST NUMBERS

B-107

| CARROSSERIE                    | REF. No. | PART No. | BODY                        |
|--------------------------------|----------|----------|-----------------------------|
| Cabine fibre de verre          | 1        | 1000     | Fiber Glass Hood            |
| Ecrou d'ancrage                | 2        | 101      | Molly jack nut              |
| Base pour lumière scellée      | 3        | 102      | Sealed Beam Rubber base     |
| Cercle du phare                | 4        | 105      | Head lamp ring              |
| Boulon                         | 5        | 1060     | Bolt                        |
| Vis                            | 6        | 1070     | Screw                       |
| Boulon                         | 7        | 1071     | Bolt                        |
| Vis d'ajustement de révolution | 8        | 1072     | Idling speed setting nut    |
| Moulure pare brise             | 9        | 1080     | Windshield moulding         |
| Pare-brise                     | 10       | 1090     | Windshield                  |
| Garniture pare-brise           | 11       | 1100     | Windshield trimming         |
| Enjoliveur tablier G.          | 12       | 1110     | Dash Wood Grain finish L.H. |
| " " " D.                       | 13       | 1120     | " " " " R.H.                |
| Décalque droit                 | 14       | 1121     | Hood Corner decal R.H.      |
| " gauche                       | 15       | 1122     | " " " L.H.                  |
| Bande de rallye                | 16       | 1123     | Rally strip                 |
| Cercle d'indicateur de vitesse | 17A      | 1124     | Speedometer ring            |
| " tachymètre                   | 17B      | 1125     | Tachometer ring             |
| Tachymètre                     | 18       | 1126     | Tachometer                  |
| Indicateur de vitesse          | 19       | 113      | Speedometer                 |
| Env. d'indicateur de vitesse   | 20       | 1140     | " cable housing             |
| Cable " " "                    | 21       | 1141     | Speedometer cable           |
| Rivet                          | 22       | 1190     | Rivet                       |
| Ferrure cabine                 | 23       | 1191     | Hood Bracket                |
| Ecrou à ailette                | 25       | 120      | Wing nut                    |
| Rondelle                       | 25       | 1192     | Washer                      |
| Ecusson G.                     | 26       | 1430     | Decal L.H.                  |
| " D.                           | 27       | 1431     | Decal R.H.                  |
| Emblème auto-adhésif           | 28       | 1432     | Self-sticking emblem        |
| Ecusson Boa 3 x 3              |          | 1280     | Boa Crest 3 x 3             |
| Décal 246cc                    |          | 1290     | Sticker 246cc               |
| " 292cc                        |          | 1291     | " 292cc                     |
| " 317cc                        |          | 1292     | " 317cc                     |
| " 338cc                        |          | 1293     | " 338cc                     |
| " 399cc                        |          | 1294     | " 399cc                     |
| " 438cc                        |          | 1295     | " 438cc                     |
| " 493cc                        |          | 1296     | " 493cc                     |
| " 634cc                        |          | 1297     | " 634cc                     |
| " 793cc                        |          | 1298     | " 793cc                     |
| Grille chromée G.R.O.F.        |          | 1299     | Chromed Grill L.R.O.F.      |
| " " D.R.O.F.                   |          | 1301     | " " R.R.O.F.                |



**MODEL 70'**

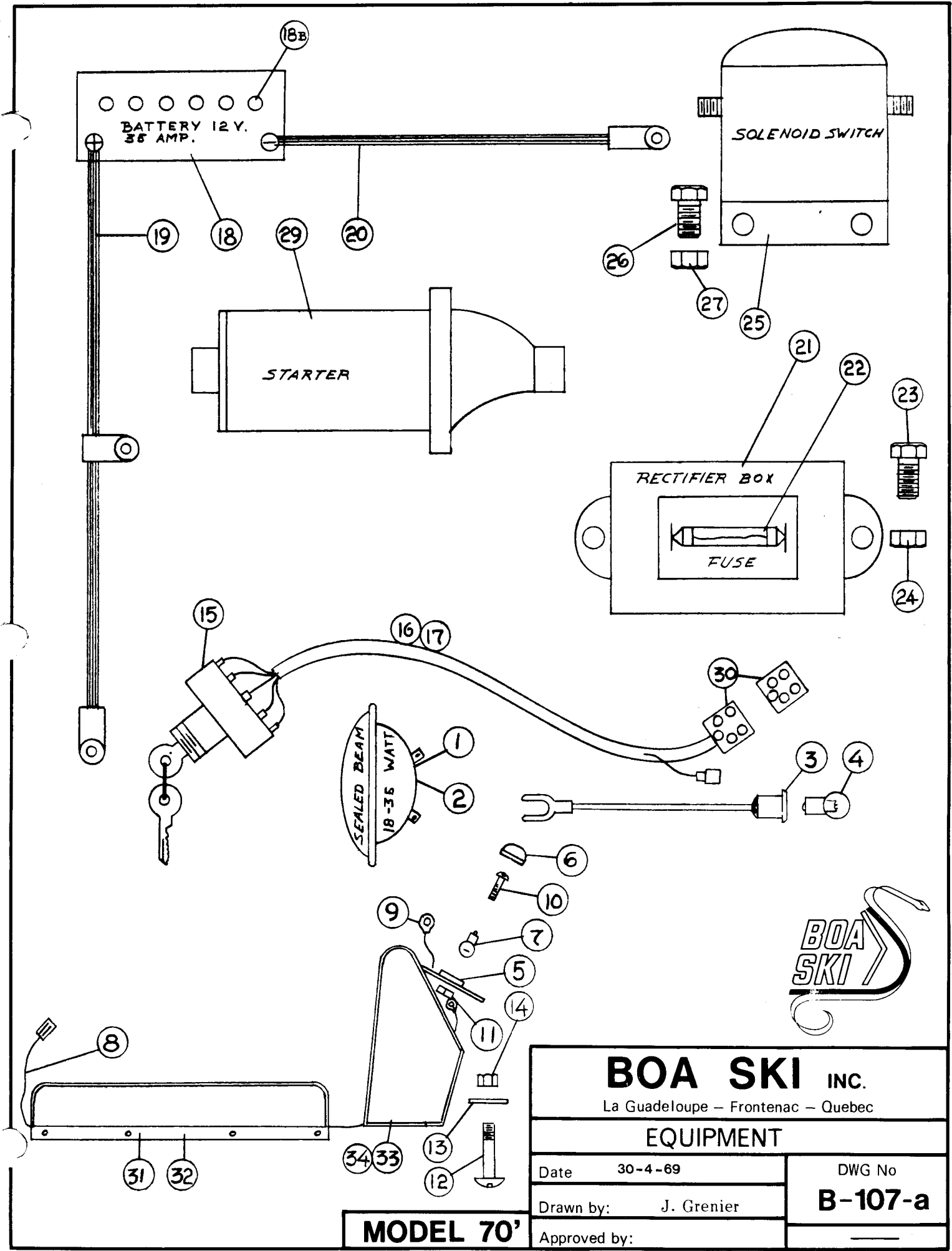
|                                    |            |
|------------------------------------|------------|
| <b>BOA SKI INC.</b>                |            |
| La Guadeloupe – Frontenac – Quebec |            |
| <b>BODY</b>                        |            |
| Date                               | 30-4-69    |
| Drawn by:                          | J. Grenier |
| Approved by:                       |            |
| DWG No<br><b>B-107</b>             |            |
| Not to scale                       |            |

RÉFÉRENCE DE NUMÉROS DES PIÈCES / PARTS LIST NUMBERS

B-107 A

| EQUIPEMENT               | REF. No. | PART No. | CHASSIS.                 |
|--------------------------|----------|----------|--------------------------|
| Phare 18 watts           | 1        | 103      | Head lamp 18 watts       |
| " 35 watts               | 2        | 104      | 35 wats                  |
| Douille d'ampoule        | 3        | 115      | Light socket             |
| Ampoule                  | 4        | 116      | Bulb                     |
| Lumière arrière          | 5        | 123      | Tail light               |
| Vitre lumière arrière    | 6        | 124      | Tail light lens          |
| Ampoule                  | 7        | 129      | Tail light bulb          |
| Fil lumière arrière      | 8        | 125      | Tail light electric wire |
| Fil de masse             | 9        | 126      | Ground wire              |
| Boulon                   | 10       | 1270     | Bolt                     |
| Ecrou                    | 11       | 1271     | Nut                      |
| Boulon                   | 12       | 1272     | Bolt                     |
| Rondelle                 | 13       | 1273     | Washer                   |
| Ecrou                    | 14       | 1274     | Nut                      |
| Interrupteur à clef      | 15       | 1300     | Ignition switch          |
| Filage manuel            | 16       | 1310     | Wiring harness Recoil    |
| " " 2 cylindres          | -        | 1311     | " " " 2 cyl.             |
| " électrique             | 17       | 1320     | Wiring harness electric  |
| " " 2 cylindres          | -        | 1321     | " " " 2 cyl.             |
| Batterie                 | 18       | 133      | Battery                  |
| Bouchon batterie         | 18B      | 1330     | " cap                    |
| Fil de batterie positif  | 19       | 1340     | Positive battery wire    |
| " " négatif              | 20       | 1350     | Negative " "             |
| Redresseur d'électricité | 21       | 136      | Electric Rectifier       |
| Fusible de redresseur    | 22       | 137      | Rectifier Fuse           |
| Boulon                   | 23       | 1380     | Bolt                     |
| Ecrou                    | 24       | 1381     | Nut                      |
| Solenoid                 | 25       | 1382     | Solenoid switch          |
| Boulon                   | 26       | 1383     | Bolt                     |
| Ecrou                    | 27       | 1384     | Nut                      |
| Lumière arrière complète | 28       | 144      | Tail Light assembly      |
| Démarrreur               | 29       | 1440     | Electric starter         |
| (Terminal 5 way)         | 30       | 1441     | (Wiring harness plug)    |
| Siège de luxe            | 31       | 1210     | Deluxe seat              |
| " régulier               | 32       | 1400     | Regular seat             |
| Dossier de luxe          | 33       | 1220     | Deluxe backrest          |
| " régulier               | 34       | 1401     | Regular " "              |





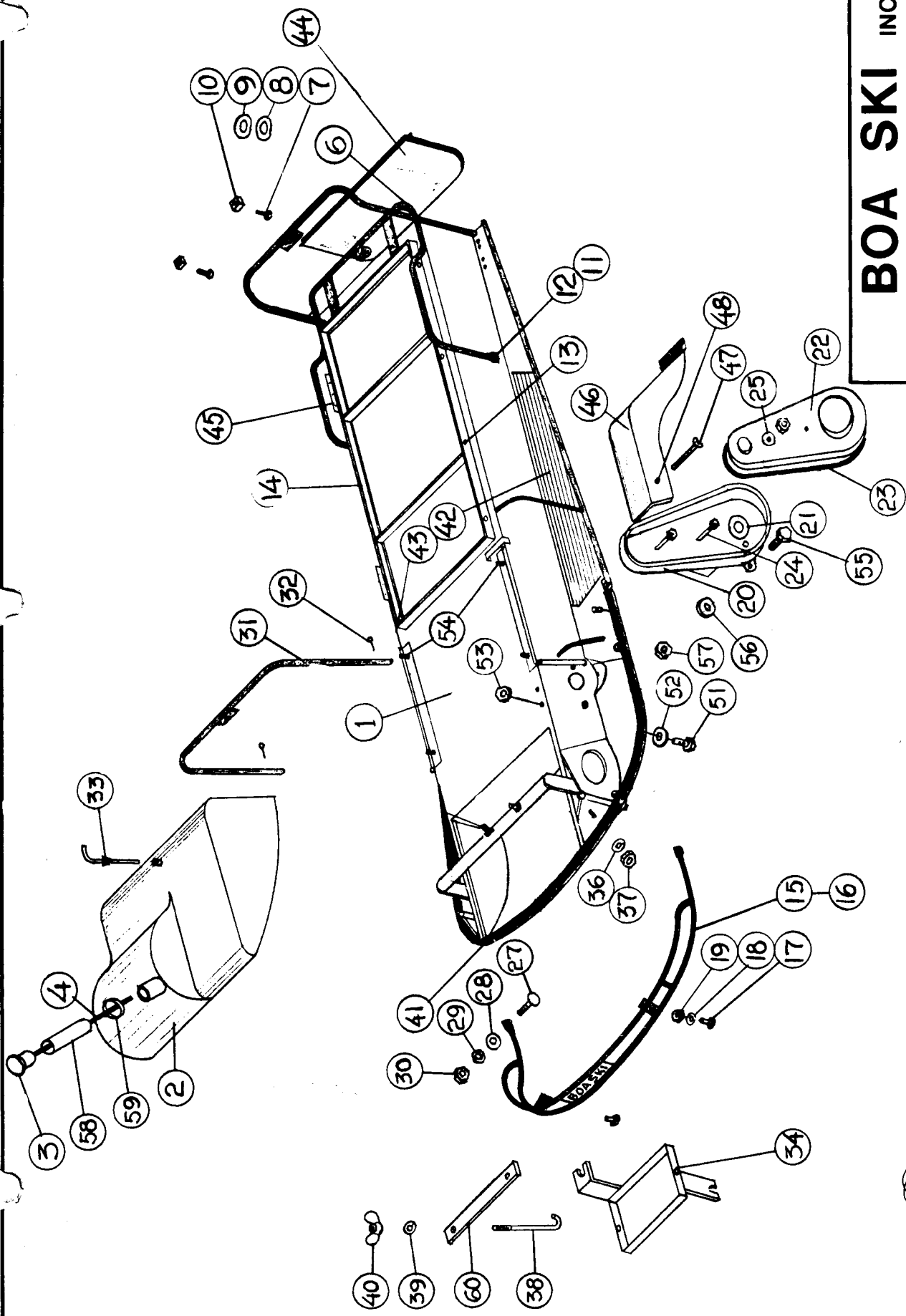
**MODEL 70'**

|                                    |                |
|------------------------------------|----------------|
| <b>BOA SKI INC.</b>                |                |
| La Guadeloupe – Frontenac – Quebec |                |
| <b>EQUIPMENT</b>                   |                |
| Date                               | 30-4-69        |
| Drawn by:                          | J. Grenier     |
| Approved by:                       |                |
| DWG No                             | <b>B-107-a</b> |

RÉFÉRENCE DE NUMÉROS DES PIÈCES / PARTS LIST NUMBERS

B-108

| CHASSIS                     | REF.NO: | PART NO: | CHASSIS.                   |
|-----------------------------|---------|----------|----------------------------|
| Chassis                     | 1       | 1500     | Chassis 2c.                |
| Chassis                     | 1       | 1501     | Chassis 1c.                |
| Réservoir à essence         | 2       | 1510     | Fuel tank                  |
| Bouchon du réservoir        | 3       | 117      | Fuel tank cap              |
| Jauge à essence             | 4       | 1180     | Fuel dip-stick             |
| Pare-choc arrière           | 6       | 152      | Rear bumper                |
| Boulon                      | 7       | 1530     | Bolt                       |
| Rondelle                    | 8       | 1531     | Washer                     |
| Rondelle                    | 9       | 1532     | Washer                     |
| Ecrou                       | 10      | 1533     | Nut                        |
| Boulon                      | 11      | 1540     | Bolt                       |
| Ecrou                       | 12      | 1541     | Nut                        |
| Bouton à pression           | 13      | 155      | Press button               |
| Chassis du siège            | 14      | 156      | Seat frame                 |
| Pare-choc de luxe           | 15      | 1570     | Deluxe front bumper        |
| Pare-choc régulier          | 16      | 1580     | Regular front bumper       |
| Boulon                      | 17      | 159      | Bolt                       |
| Rondelle                    | 18      | 1590     | Washer                     |
| Ecrou                       | 19      | 1591     | Nut                        |
| Boitier de la chaîne        | 20      | 1610     | Chain case                 |
| Joint d'étanchéité          | 21      | 1611     | Oil seal                   |
| Couvert du boitier          | 22      | 1640     | Chain case cover           |
| Joint d'étanchéité          | 23      | 1641     | Chain case seal            |
| Boulon                      | 24      | 1620     | Bolt                       |
| Joint O                     | 25      | 1621     | O Ring                     |
| Boulon                      | 27      | 163      | Bolt                       |
| Rondelle                    | 28      | 1630     | Washer                     |
| Rondelle                    | 29      | 1631     | Washer                     |
| Ecrou                       | 30      | 1632     | Nut                        |
| Support du volant           | 31      | 1690     | Handle Bar Yoke            |
| Goupille                    | 32      | 170      | Cotter Pin                 |
| Adaptateur tuyau gaz        | 33      | 1710     | Fuel line adaptor          |
| Boitier de la batterie      | 34      | 1720     | Battery case               |
| Rondelle                    | 36      | 1721     | Flat washer                |
| Ecrou                       | 37      | 1722     | Nut                        |
| Crochet pour tenir batterie | 38      | 1723     | Battery case hook bolt     |
| Rondelle                    | 39      | 1740     | Lock Washer                |
| Ecrou à ailette             | 40      | 1741     | Wing nut                   |
| Moulure vinyl               | 41      | 1800     | Vinyl strip                |
| Tapis marche-pied G.        | 42      | 1820     | Foot Pad L.H.              |
| Tapis marche-pied D.        | 43      | 1830     | Foot Pad R.H.              |
| Garde-neige                 | 44      | 168      | Snow flap                  |
| Protecteur d'embrayage      | 46      | 1770     | Clutch guard               |
| Protecteur d'embrayage      | 46A     | 1771     | Twin cylinder clutch guard |
| Boulon à ailette            | 47      | 175      | Thumbscrew                 |
| Ecrous molly                | 48      | 176      | Molly Jack nut             |
| Boulon                      | 51      | 1760     | Bolt.                      |
| Rondelle                    | 52      | 1761     | Flat washer                |
| Ecrou                       | 53      | 1762     | Nut                        |
| Boulon                      | 54      | 1763     | Bolt                       |
| Boulon                      | 55      | 1764     | Bolt                       |
| Rondelle                    | 56      | 1765     | Washer                     |
| Ecrou                       | 57      | 1766     | Nut                        |
| Tube de remplissage         | 58      | 1767     | Filler tube                |
| Collet " "                  | 59      | 1768     | " " collar                 |
| Support                     | 60      | 1769     | Holder                     |



**BOA SKI INC.**

La Guadeloupe — Frontenac — Quebec

**FRAME**

Date 25-4-69

Drawn by: J. Grenier

DWG No

**B-108**

scale

**MODEL 70'**

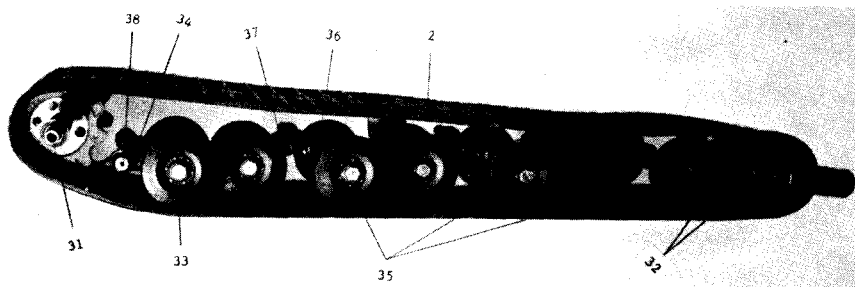
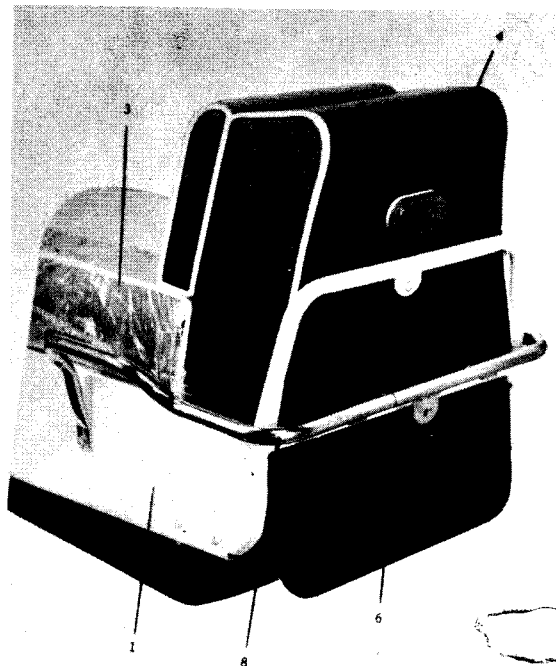
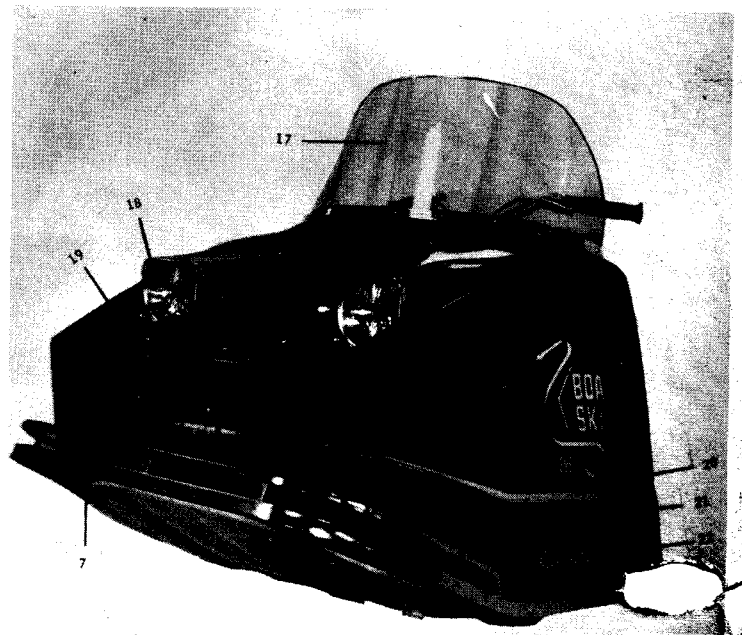
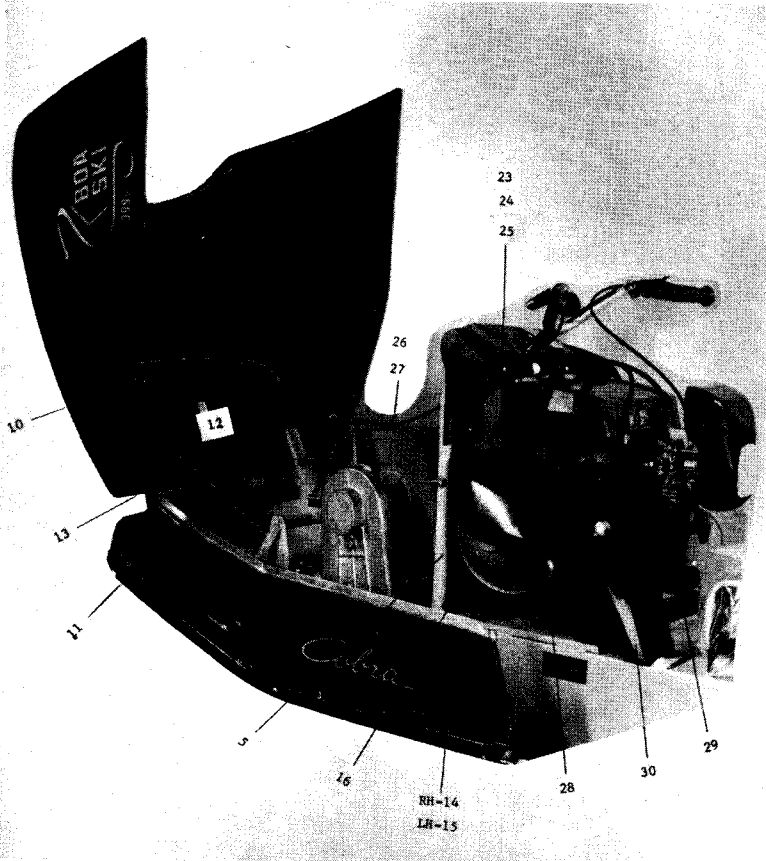




# BOA-SKI INC.

Manufacturiers d'Auto-Neige  
Snowmobile Manufacturer

CASE POSTALE - P. O. BOX 7  
LA GUADELOUPE, QUÉ.  
FRONTENAC



LA MEILLEURE AU CANADA

CANADA'S BEST SNOWMOBILE

Additional or non-interchangeable Parts only. For remainder of Parts, refer to your 1970 Boa-Ski Parts Catalogue.

| Description                 | cobra<br>Ref no | cobra<br>Parts no | Description                 |
|-----------------------------|-----------------|-------------------|-----------------------------|
| Chassis                     | 1               | 50000             | Chassis                     |
| Track                       | 2               | 50020             | Chenille                    |
| Seat                        | 3               | 50040             | Siège                       |
| Back rest                   | 4               | 50060             | Dossier                     |
| Handle Bar Yoke             | 5               | 50080             | Support du volant           |
| Snow Flap                   | 6               | 50100             | Garde neige                 |
| Bumper Front                | 7               | 50120             | Pare choc avant             |
| Bumper rear                 | 8               | 50140             | Pare choc arrière           |
| Vinyl Strip                 | 9               | 50160             | Moulure venyl               |
| Hood top part               | 10              | 50180             | Cabine partie du haut       |
| Hood lower part             | 11              | 50200             | Cabine partie du bas        |
| Hood hinge                  | 12              | 50220             | Penture                     |
| Hood hold chain             | 13              | 50240             | Chaîne pr retenir cabine    |
| Hood moulding               | RH-14           | 50260             | Moulure de cabine D         |
| Hood moulding               | LH-15           | 50280             | Moulure de cabine G         |
| Hood Clamp                  | 16              | 50300             | Crochet                     |
| Hood shield                 | 17              | 50320             | Pare brise                  |
| Lamp Ring                   | 18              | 50340             | Cercle du phare             |
| Air louver                  | 19              | 50360             | Grille                      |
| Rivets red                  | 20              | 50380             | Rivet rouge                 |
| Ribets black                | 21              | 50400             | Rivet noir                  |
| Cobra decal                 | 22              | 50420             | Ecusson cobra               |
| Dash 399-438-493 cc         | 23              | 50440             | Tablier 399-438-493 cc      |
| Dash 634 cc                 | 24              | 50460             | Tablier 634 cc              |
| Dash Bolts                  | 25              | 50480             | Bolts du tablier            |
| Wiring Harness Recoil       | 26              | 50500             | Filage manuel               |
| Wiring Harness electric     | 27              | 50520             | Filage électrique           |
| Engine Mount 634 cc         | 28              | 50540             | Base de moteur 634          |
| Engine Mount Leaf           | 29              | 50560             | Lame de base de moteur      |
| Clutch Guard                | 30              | 50580             | Protecteur d'embrayage      |
| Drive Axle                  | 31              | 50600             | Essieu d'avant              |
| Rear Axle                   | 32              | 50620             | Essieu arrière              |
| Suspension Assy ist.        | 33              | 50640             | Suspension complet No 1     |
| Suspension Support ist.     | 34              | 50660             | Support suspension No 1     |
| Suspension Assy 2nd-3rd 426 | 35              | 50680             | Suspension complet No 2-3-4 |
| External support            | 36              | 50700             | Support int. 2-3-4          |
| Internal support            | 37              | 50720             | Support ext. 2-3-4          |
| Aluminium Shaft             | 38              | 50740             | Arbre                       |

## LISTE DE PIECES COBRA 1970

Pièces additionnelles sur le cobra seulement.

Pour les autres pièces référer à votre catalogue Boa-Ski 1970.