



BOA-SKI. INC.

LA GUADELOUPE, CTE FRONTENAC, P.Q.

DESCRIPTION
ET
LISTE DE PIECES.

DESCRIPTION
AND
PARTS LIST.

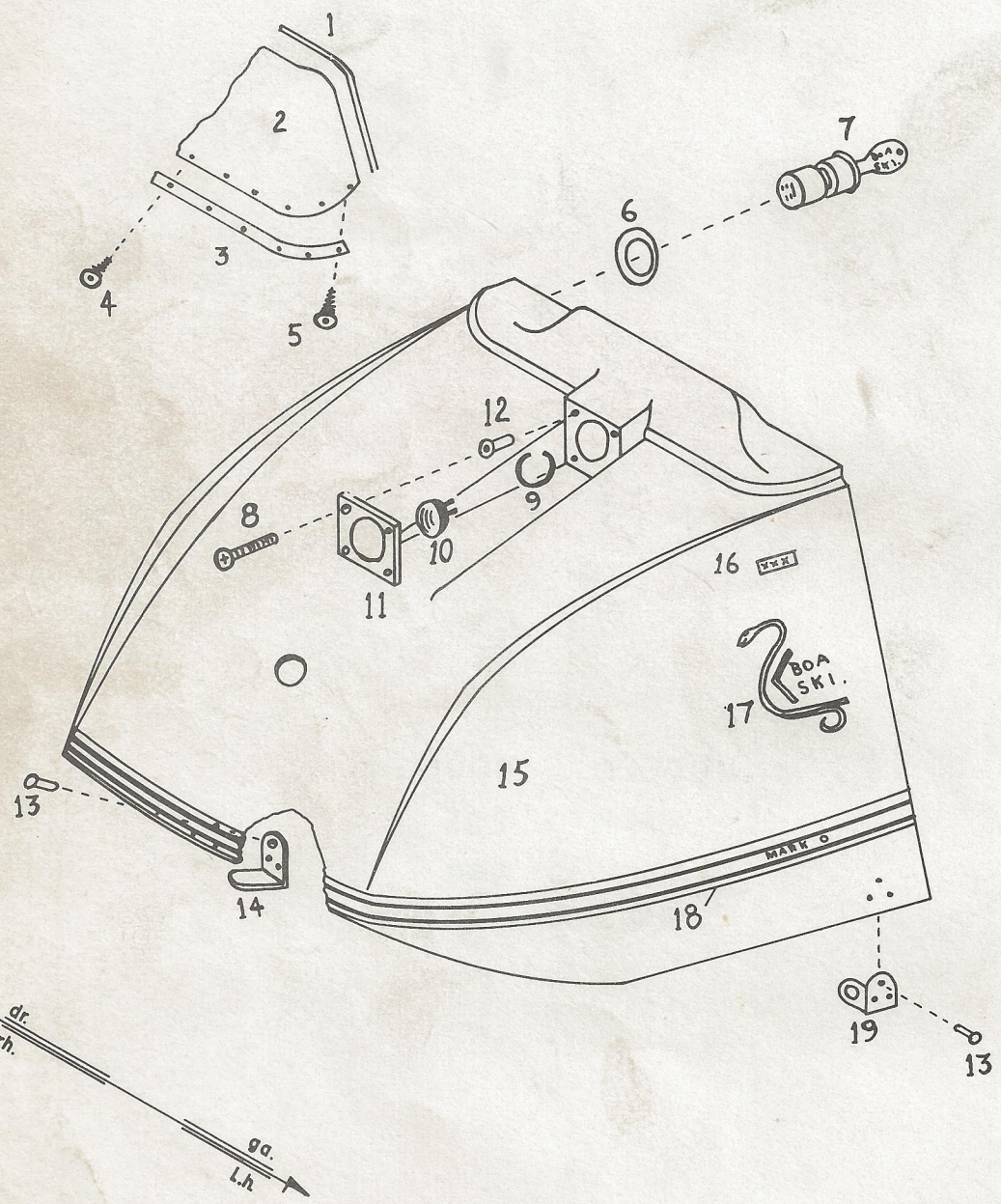
1971



MODELE.	MODEL.
MARK O	225
MARK O	246
MARK O	295

CABINE.

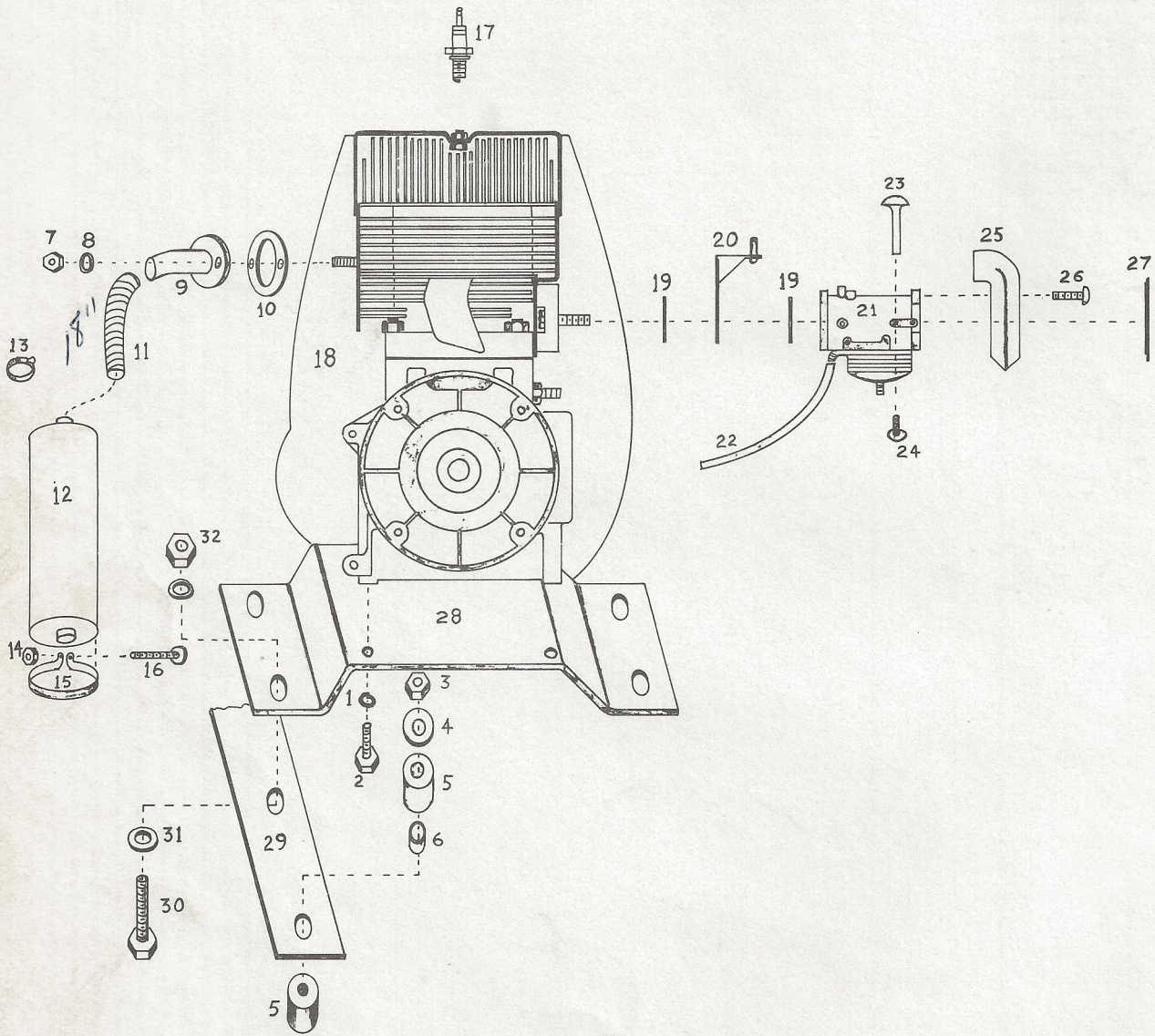
CAB.



No. ILLUS.	NEW PART. No. NOUVEAU	CABINE	CAB.	MOD.	MARK 0	225	MARK 0	246	MARK 0	295									
					DESCRIPTION														
1	S-73-01-045		Garniture Pare-Brise	Windshield Trimming	1		1		1										
2	S-73-01-039		Pare-Brise	Windshield	1		1		1										
3	S-13-01-023		Moulure Dr. Pare-Brise.	Windshields MLDG.R.H.....	1		1		1										
--	S-13-01-024		Moulure Ga. Pare-Brise	Windshields MLDG.L.H.	1		1		1										
4	S-00-07-002		Vis	Screw	6		6		6										
5	S-00-07-003		Vis	Screw.....	2		2		2										
6	S-73-01-005		Decalque ignition	Switch Decal	1		1		1										
7	S-00-13-004		Interrupteur à clef	Ignition Switch	1		1		1										
8	S-00-07-001		Boulen	Machine Screw.....	4		4		4										
9	S-13-01-011		Joint d'etancheite	Gasket	1		1		1										
10	S-00-13-005		Phare Scelle	Sealed Beam	1		1		1										
--	S-00-13-026		Phare Scelle	Sealed Beam					1										
11	S-13-01-008		Encadrement Phare	Head Lamp Ring	1		1		1										
12	S-00-03-011		Noix d'ancrage	Molly Jack Nut	4		4		4										
13	S-00-02-004		Rivet	Rivet	9		9		9										
14	S-13-01-002		Langue	Hood Bracket (Front)	1		1		1										
15	S-13-01-025		Cabine	Cab	1		1		1										
16	S-73-01-043		Decalque 225 cc	Sticker 225 cc	1														
--	S-73-01-044		Decalque 246 cc	Sticker 246 cc			1												
--	S-73-01-024		Decalque 295 cc	Sticker 295 cc					1										
17	S-73-01-020		Ecusson BOA-SKI Ga.....	BOA Crest L.H.....	1		1		1										
--	S-73-01-019		Ecusson BOA-SKI Dr.	BOA Crest R.H.	1		1		1										
18	S-73-01-042		Decalque Ga.	Decal L.H.	1		1		1										
--	S-73-01-041		Decalque Dr.....	Decal R.H.....	1		1		1										
19	S-13-01-001		Attache Cabine	Hood Bracket (side)	2		2		2										

MOTEUR.

ENGINE



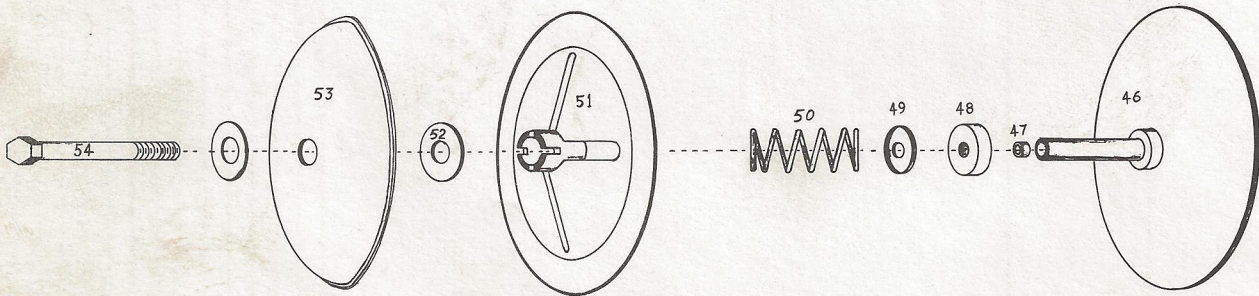
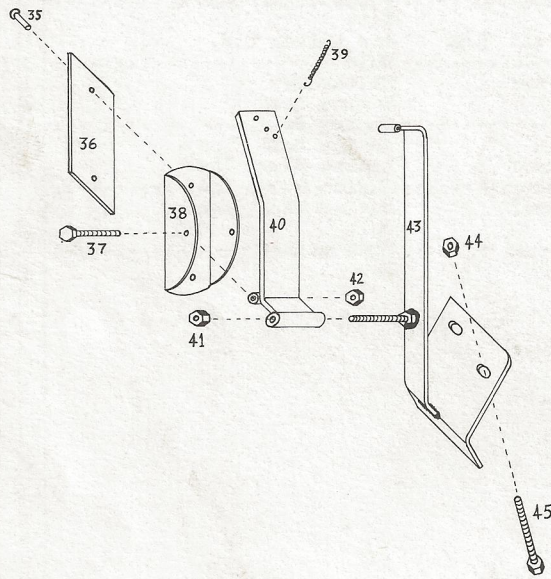
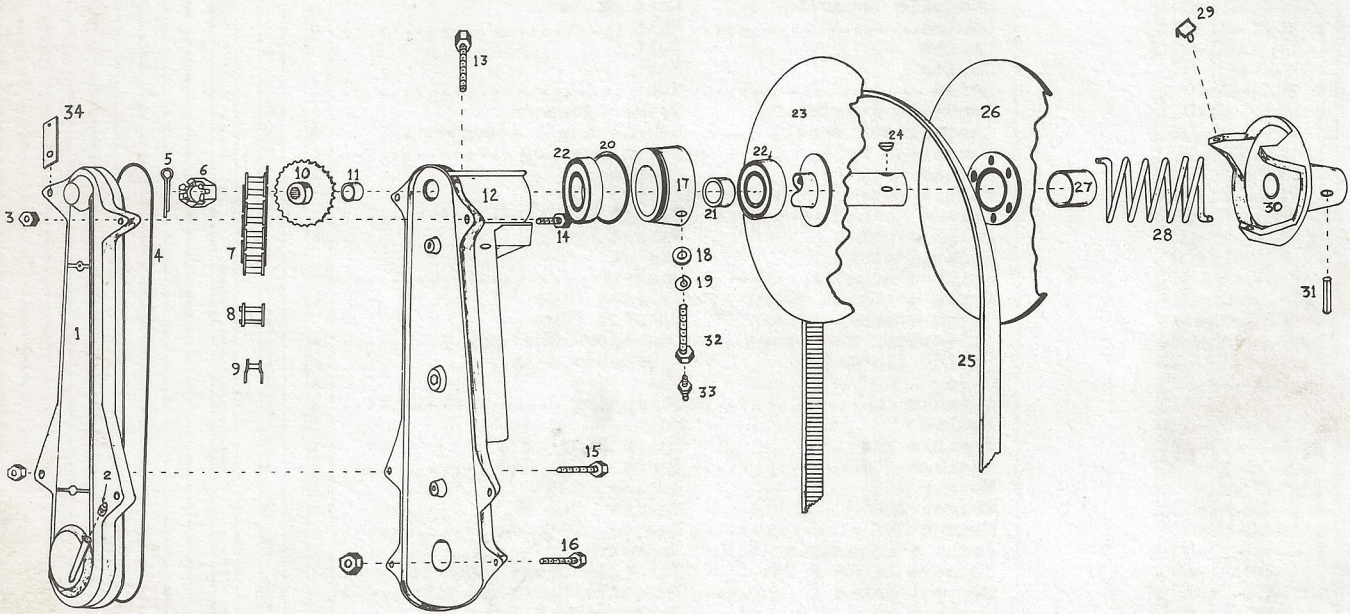
No. ILLUS.	NEW PART No. NOUVEAU	MOTEUR	ENGINE	MOD.	MARK O	225	MARK O	246	MARK O	295
					DESCRIPTION					
1	S-00-12-010	Rondelle Securite	Lock Washer				4			
--	S-00-12-008	Rondelle Securite	Lock Washer		4			4		
2	S-00-01-036	Boulon.....	Bolt		4					
--	S-00-01-035	Boulon	Bolt				4			
--	S-00-01-025	Boulon	Bolt					4		
3	S-00-03-005	Ecrou.....	Nut		4		4		4	
4	S-04-01-011	Rondelle support	Washer support		4		4		4	
5	S-08-01-001	Amortisseur caout.	Rubber shock absorber		8		8		8	
6	S-00-10-002	Coussinet Nylon	Nylon Bushing		4		4		4	
9	S-08-01-067	Sortie Moteur	Flange		1				1	
--	S-08-01-068	Sortie Moteur	Flange							1
--	S-08-01-038	Sortie Moteur	Flange				1			
10	S-00-17-006	Joint d'echap.	Gasket		1					
--	S-00-17-007	Joint d'echap.	Gasket				1			
--	S-00-17-002	Joint d'echap.....	Gasket.....						1	
11	S-12-01-015	Tuyau d'echap. Flex. 1 1/8"	Exhaust Pipe		1				1	
--	S-12-01-035	Tuyau d'echap. Flex.	Exhaust Pipe				1			
12	S-72-01-002	Silencieux Donaldson	Donaldson Muffler.....		1		1		1	
13	S-00-19-017	Collet Ajustable	Ajustable Clip		1		1		1	
14	S-00-03-007	Ecrou	Nut		1		1		1	
15	S-12-01-034	Attache.....	Strapping		1		1		1	
16	S-00-01-034	Boulon	Bolt		1		1		1	
17	S-00-13-019	Fusible 225	Spark Plug 225		1		1		1	
--	S-00-13-020	Fusible 240.....	Spark Plug 240		1		1		1	
18	S-00-90-005	Moteur 225	Engine 225		1					
--	S-00-91-011	Moteur 246	Engine 246				1			
--	S-00-92-001	Moteur 295	Engine 295.....						1	
19	S-00-17-004	Joint d'etancheite H.R.	Gasket H.R.		2		2		2	
20	S-08-01-004	Support cable à Gaz	Throttle Cable support						1	
--	S-08-01-062	Support cable à Gaz.....	Throttle Cable support				1			
21	S-00-18-001	Carburateur H.R.	Carburator H.R.		1		1		1	
22	S-08-01-011	Ligne de succion	Suction Ligne		1		1		1	
23	S-68-01-006	Levier d'etrangeur	Choke lever Handle		1		1		1	
24	S-00-07-004	Boulon	Bolt		1		1		1	
25	S-68-01-004	Filtreur à l'air H.R.	Air Filter H.R.		1		1		1	
26	S-00-01-017	Boulon	Bolt		3		3		3	
27	S-68-01-003	Couvert Filtreur	Filter cap		1		1		1	
28	S-08-01-074	Base Moteur	Engine Base		1					
--	S-08-01-075	Base Moteur	Engine Base				1			
--	S-08-01-076	Base Moteur	Engine Base						1	
29	S-08-01-055	Lame Base Moteur	Engine Mount Leaf		2					
--	S-08-01-054	Lame Base Moteur	Engine Mount Leaf				2			
--	S-08-01-077	Lame Base Moteur	Engine Mount Leaf						2	
30	S-00-01-012	Boulon	Bolt		4		4		4	
31	S-00-12-003	Rondelle	Flat washer		8		8		8	
32	S-00-03-005	Ecrou	Nut		4		4		4	

CONVERTISSEUR.

CONVERTER.

EMBRAYAGE DE COMMANDE.

DRIVE CLUTCH.



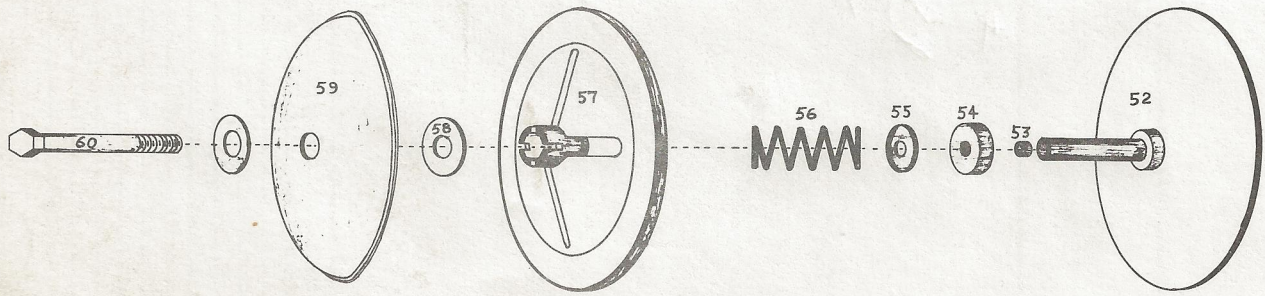
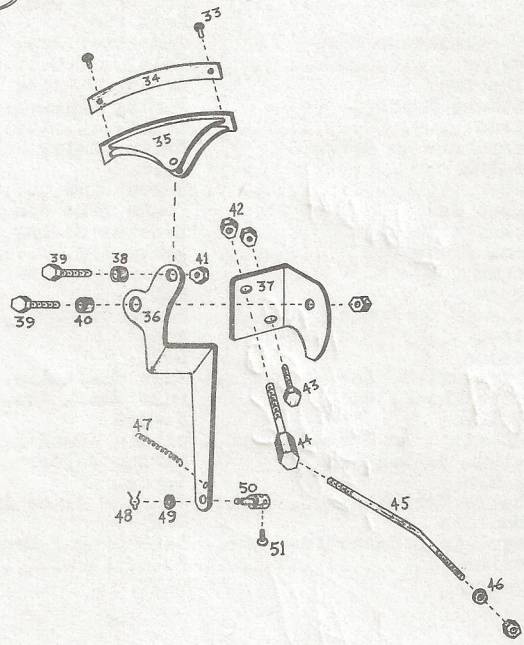
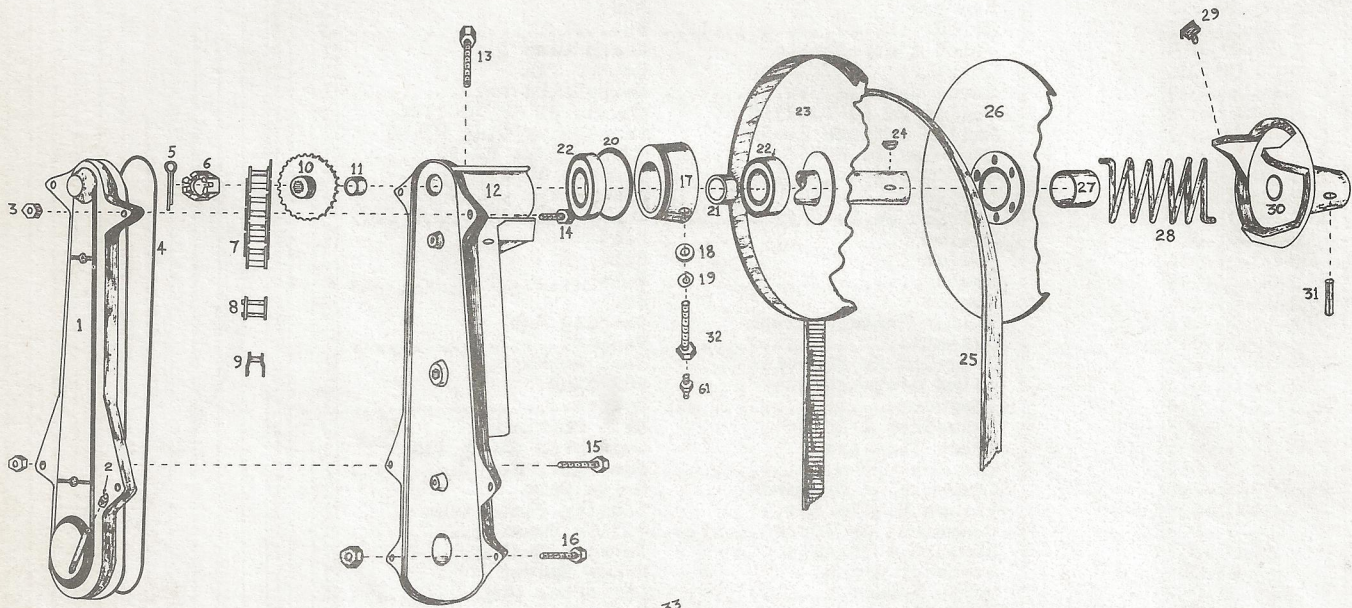
No. ILLUS.	NEW PART No. NOUVEAU	CONVERTISSEUR ET EMBAYAGE DE COMMANDE		CONVERTER AND DRIVE CLUTCH		MOD MARK 0 225	MARK 0 246													
		DESCRIPTION																		
1	S-69-01-018		Couvert du Boitier		Chain Case Cover	1	1													
2	S-00-19-012		Bouchon		Plug	1	1													
3	S-00-03-002		Ecrou		Nut	1	1													
4	S-69-01-019		Joint d'etancheite		Chain Case Seal	1	1													
5	S-00-06-004		Goupille		Cotter Pin	1	1													
6	S-00-03-013		Ecrou Granelé		Castelated Nut	1	1													
7	S-69-01-008		Chaine RC 50 10-23Dt		Chaine RC 50 10-23Dt	1	1													
8	S-00-16-001		Maille Patente RC-50		Connecting Link RC-50	1	1													
9	S-00-16-003		Demi-Maille RC-50		Offset Link RC-50	1	1													
10	S-69-01-010		Roue d'engrenage 10Dt		Sproket 10 Th	1	1													
11	S-09-01-045		Espaceur		Spacer	1	1													
12	S-69-01-017		Boitier de la Chaine		Chain Case	1	1													
13	S-00-01-005		Boulon		Bolt	1	1													
14	S-00-01-022		Boulon		Bolt	2	2													
15	S-00-01-028		Boulon		Bolt	2	2													
16	S-00-01-004		Boulon		Bolt	2	2													
17	S-69-01-021		Palier Convertisseur		Bearing Hub	1	1													
18	S-14-01-030		Rondelle		Washer	1	1													
19	S-00-12-001		Rondelle de Securite		Lock Washer	1	1													
20	S-69-01-022		Joint d'etancheite		"O" Ring	1	1													
21	S-09-01-018		Espaceur		Spacer	1	1													
22	S-00-08-003		Coussinet à Bille		Ball Bearing	2	2													
23	S-09-01-056		Arbre Fixe Ass.		Converter Shaft Ass.	1	1													
24	S-00-19-011		Clé Demi-Lune		Wood Ruff Key	1	1													
25	S-09-01-040		Courroie de Commande		Drive Belt	1	1													
26	S-09-01-038		Plaque Mobile Ass.		Sliding Plate Ass.	1	1													
27	S-69-01-006		Coussinet de Bronze		Oilite Bushing	1	1													
28	S-69-01-002		Ressort à Torsion		Torsion Spring	1	1													
29	S-69-01-005		Espaceur Nylon		Nylon Spacer	3	3													
30	S-09-01-042		Noyau à Came		Converter Cam	1	1													
31	S-00-06-001		Goupille		Roll Pin	1	1													
--	S-09-01-055		Convertisseur Ass.		Converter Ass.	1	1													
32	S-09-01-059		Boulon		Bolt	1	1													
33	S-00-04-002		Alometre		Grease Fitting	1	1													
34	S-06-01-013		Attache Ressort		Spring Bracket	1	1													
35	S-00-02-008		Rivet		Rivet	2	2													
36	S-06-01-022		Garniture de Sabot		Brake Lining	1	1													
37	S-00-01-016		Boulon		Bolt	1	1													
38	S-06-01-021		Sabot		Brake Shoe	1	1													
--	S-06-01-020		Sabot Ass.		Brake Shoe Ass.	1	1													
39	S-00-05-002		Ressort Tension		Tension Spring	1	1													
40	S-06-01-016		Bras Frein		Brake Arm	1	1													
41	S-00-03-005		Ecrou		Nut	1	1													
42	S-00-03-007		Ecrou		Nut	1	1													
43	S-06-01-012		Support du Frein		Brake Support	1	1													
44	S-00-03-002		Ecrou		Nut	2	2													
45	S-00-01-030		Boulon		Bolt	2	2													
46	S-09-01-048		Arbre Princ. Ass.		Main Shaft Ass.	1	1													
--	S-09-01-049		Arbre Princ. Ass.		Main Shaft Ass.	1	1													
47	S-09-01-003		Douille		Sleeve	1	1													
48	S-00-10-003		Coussinet de Bronze		Oilite Bushing	1	1													
49	S-08-01-036		Retenu du Ressort		Spring Holder	1	1													
50	S-69-01-001		Ressort		Spring	1	1													
51	S-09-01-053		Poulie Mobile Ass.		Sliding Plate Ass.	1	1													
52	S-08-01-035		Rondelle		Washer	2	2													
53	S-09-01-030		Regulateur Centrifuge Ass.		Centrifugal Regulator	1	1													
54	S-00-01-026		Boulon		Bolt	1	1													
--	S-09-01-052		Boulon		Bolt	1	1													

CONVERTISSEUR.

CONVERTER.

EMBRAYAGE DE COMMANDE.

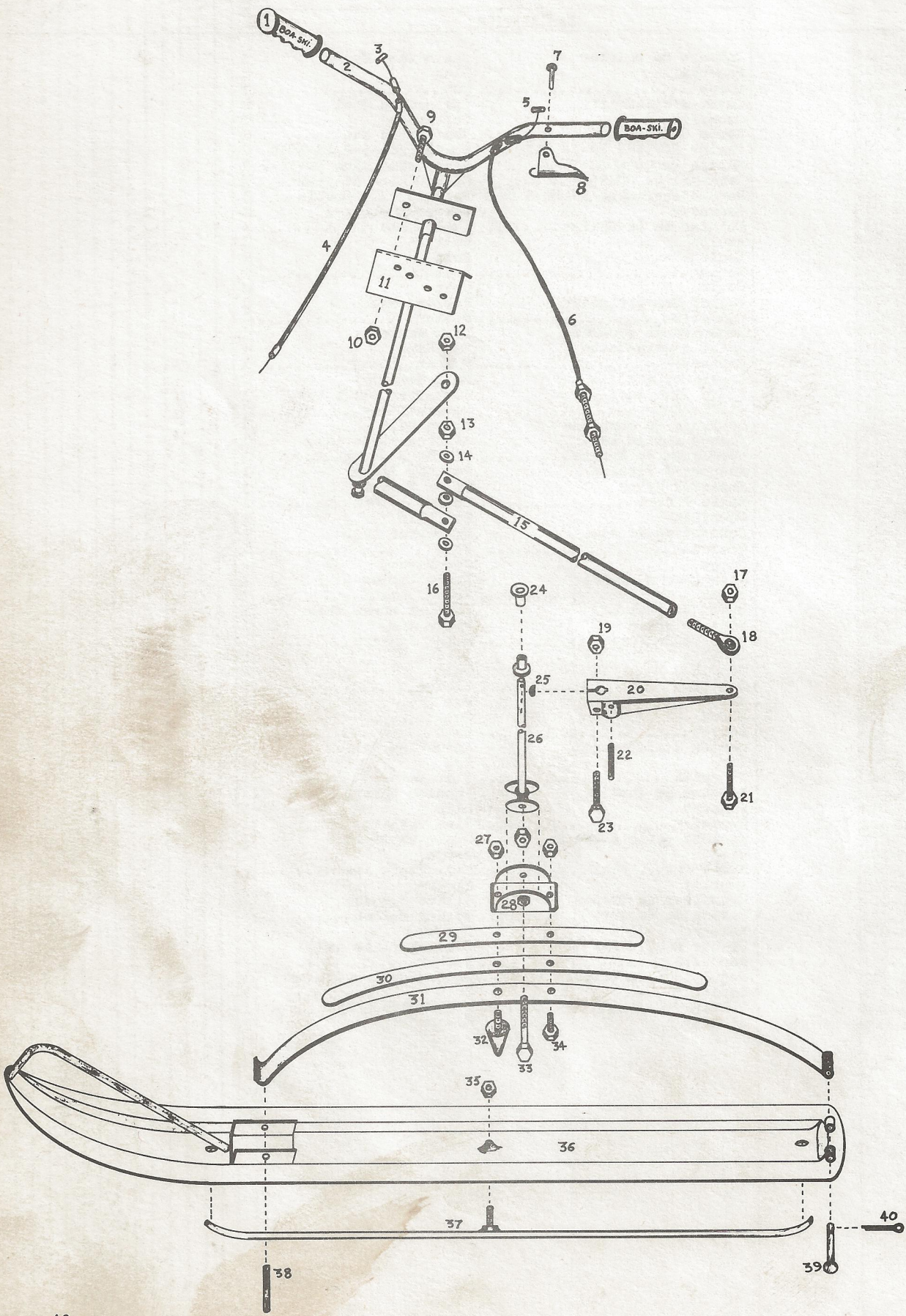
DRIVE CLUTCH.



No. ILLUJ.S.	NEW PART. No. NOUVEAU	CONVERTISSEUR	CONVERTER	MOD MARK 0 295
		ET EMBRAYAGE DE COMMANDE	AND DRIVE CLUTCH	
		DESCRIPTION		
1	S-69-01-018	Couvert du Boitier	Chain Case Couer	1
2	S-00-19-012	Bouchon	Plug	1
3	S-00-03-002	Ecrou	Nut	1
4	S-69-01-019	Joint d'etancheite	Chain Case Seal	1
5	S-00-06-004	Goupille	Cotteppin	1
6	S-00-03-013	Ecrou Grênelé	Castelated Nut	1
7	S-69-01-009	Chaîne RC-35-2 18-38 Dt	Chains RC-35-2 18-38Th	1
8	S-00-16-002	Maille Parente RC-35-2	Connecting Link RC-35-2	1
9	S-00-16-004	Demi-Maille RC-35-2	Offset Link RC-35-2	1
10	S-69-01-012	Roue d'engrenage 18 Dt.double	Sproket 18Th Double	1
11	S-09-01-039	Espaceur	Spacer	1
12	S-69-01-017	Boitier de la Chaîne	Chain Case	1
13	S-00-01-005	Boulon	Bolt	1
14	S-00-01-022	Boulon	Bolt	2
15	S-00-01-028	Boulon	Bolt	2
16	S-00-01-004	Boulon	Bolt	2
17	S-69-01-021	Palier Convertisseur	Bearing Hub	1
18	S-14-01-030	Rondelle	Washer	1
19	S-00-12-001	Rondelle de securite	Lock washer	1
20	S-69-01-022	Joint d'etancheite	"O" Ring	1
21	S-09-01-018	Espaceur	Spacer	1
22	S-00-08-003	Coussinet à bille	Ball Bearing	2
23	S-09-01-017	Arbre Fixe Ass.	Converter Shaft Ass.	1
24	S-00-19-011	Clé Demi-Lune	Woodruff Key	1
25	S-09-01-040	Courroie de commande	Drive Belt	1
26	S-09-01-038	Plaque mobile Ass.	Sliding Plate Ass.	1
27	S-69-01-006	Coussinet de Bronze	Oilite Bushing	1
28	S-69-01-002	Ressort à Torsion	Torsion Spring	1
29	S-69-01-005	Espaceur Nylon	Nylon Spacer	3
30	S-09-01-042	Noyau à came	Converter Cam	1
31	S-00-06-001	Goupille	Roll Pin	1
--	S-09-01-036	Convertisseur Ass.	Converter Ass.	1
32	S-09-01-059	Boulon	Bolt	1
33	S-00-02-004	Rivet	Pop Rivet	2
34	S-06-01-007	Garniture du Sabot	Brake Lining	1
35	S-06-01-005	Sabot	Brake Shoe	1
--	S-06-01-011	Sabot complet	Complet Brake Shoe	1
36	S-06-01-004	Bras de Frein	Brake Arm	1
37	S-06-01-003	Support du Frein	Brake Support	1
38	S-06-01-010	Douille	Sleeve	1
39	S-00-01-031	Boulon	Bolt	2
40	S-06-01-009	Douille	Sleeve	1
41	S-00-03-004	Ecrou	Nut	2
42	S-00-03-002	Ecrou	Nut	2
43	S-00-01-030	Boulon	Bolt	1
44	S-74-01-001	Boulon d'ajustement	Adjusting Bolt	1
45	S-06-01-002	Tige	Rod	1
46	S-00-12-002	Rondelle	Flat Washer	1
47	S-00-05-002	Ressort de Tension	Tension Spring	1
48	S-00-19-013	Attache	Clip	1
49	S-00-12-004	Rondelle	Flat Washer	1
50	S-06-01-001	Attache cable à Frein	Brake Cable Lock	1
51	S-00-07-004	Vis	Screw	1
52	S-09-01-024	Arbre Princ. Ass.	Main Shaft Ass.	1
53	S-09-01-003	Douille	Sleeve	1
54	S-00-10-003	Coussinet de Bronze	Oilite Bushing	1
55	S-08-01-036	Retenu du Ressort	Spring Holder	1
56	S-69-01-001	Ressort	Spring	1
57	S-08-01-008	Plaque Mobile Ass.	Sliding Plate Ass.	1
58	S-08-01-035	Rondelle	Washer	2
59	S-09-01-030	Regulateur Centrifuge Ass.	Centrifugal Regulator	1
60	S-00-01-026	Boulon	Bolt	1
--	S-09-01-022	Embrayage Ass.	Drive Clutch Ass.	1
61	S-00-04-002	Alometre	Grease Fitting	1

CONDUITE.

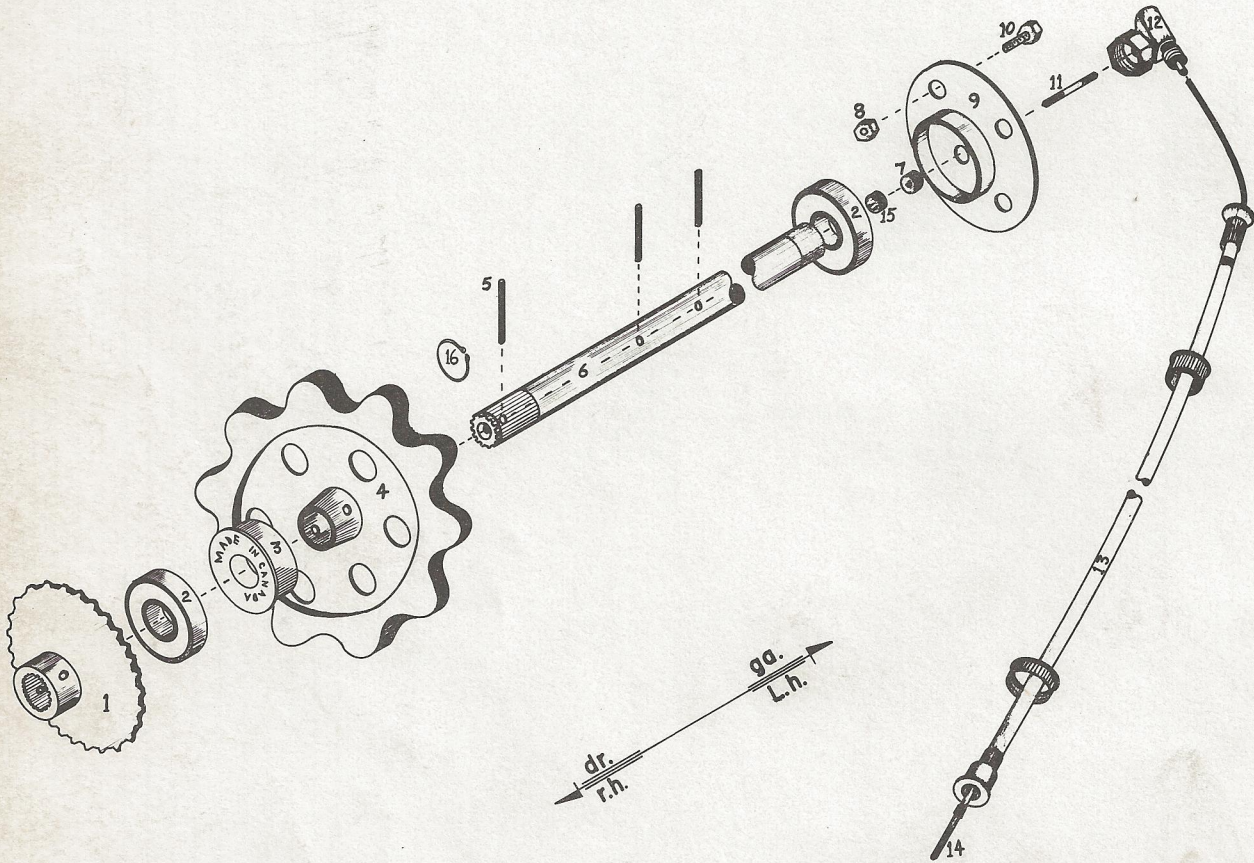
STEERING.



No. ILLUS.	NEW PART. No. NOUVEAU	CONDUITE	STEERING	MOD	MARK O 225	MARK O 246	MARK O 295											
				DESCRIPTION														
1	S-67-01-005	Peignée	Handle		2	2	2											
2	S-07-01-028	Guidon	Handle Bar		1	1	1											
3	S-67-01-013	Cable à gaz	Gaz Cable		1	1	1											
4	S-67-01-014	Enveloppe Cable à Gaz	Gaz Cable Housing		1	1	1											
--	S-67-01-011	Cable à Gaz Complet	Gaz Cable Ass.		1	1	1											
5	S-67-01-015	Cable à Frein	Brake cable		1	1												
--	S-67-01-008	Cable à Frein	Brake cable				1											
6	S-67-01-016	Enveloppe Cable à Frein	Brake Cable Housing		1	1												
--	S-67-01-009	Enveloppe Cable à Frein	Brake Cable Housing				1											
--	S-67-01-012	Cable à Frein Complet	Brake Cable Ass.		1	1												
--	S-67-01-002	Cable à Frein Complet	Brake Cable Ass.															
7	S-00-02-003	Rivet	Rivet		2	2												
8	S-07-01-001	Clanchette	Lever		2	2	2											
9	S-00-01-020	Boulon	Bolt		2	2	2											
10	S-00-03-004	Ecrou	Nut		2	2	2											
12	S-00-03-005	Ecrou	Nut		1	1	1											
13	S-00-03-012	Ecrou de Blocage	Jam Nut		1	1	1											
14	S-00-12-006	Rondelle à Ressort	Spring Washer		3	3	3											
15	S-07-01-033	Joint d'accouplement	Tie Rod		2	2	2											
16	S-00-01-021	Boulon	Bolt		1	1	1											
17	S-00-03-005	Ecrou	Nut		2	2	2											
18	S-00-19-010	Joint Pivot	Tie Rod End		2	2	2											
19	S-00-03-002	Ecrou	Nut		2	2	2											
20	S-07-01-009	Bras Conduite	Steering Arm		2	2	2											
21	S-00-01-012	Boulon	Bolt		2	2	2											
22	S-00-06-003	Goupille	Roll Pin		2	2	2											
23	S-00-01-022	Boulon	Bolt		2	2	2											
24	S-00-10-001	Coussinet de Bronze	"Oilite Bushing"		4	4	4											
25	S-00-19-011	Clé Demi-lune	Woodruff Key		2	2	2											
26	S-07-01-024	Jambe Conduite G.A.	Ski Leg L.H.		1	1	1											
--	S-07-01-025	Jambe Conduite D.R.	Ski Leg R.H.		1	1	1											
27	S-00-03-005	Ecrou	Nut		2	2	2											
28	S-02-01-002	Harnais Ass.	Spring Coupler		2	2	2											
29	S-62-01-003	Lame Secondaire	Secondary Leaf		2	2	2											
31	S-62-01-005	Lame Principale	Main Leaf		2	2	2											
33	S-00-01-013	Boulon	Bolt		2	2	2											
34	S-00-01-032	Boulon	Bolt		4	4	4											
35	S-00-03-008	Ecrou	Nut		2	2	2											
36	S-02-01-027	Patin	Ski		2	2	2											
37	S-02-01-029	Lame D'usure	Ski Runner		2	2	2											
38	S-02-01-010	Tige	Rod		2	2	2											
39	S-62-01-004	Goupille de Raccord	Hinge Pin		2	2	2											
40	S-00-06-002	Goupille	Cotter Pin		2	2	2											
--	S-02-01-031	Patin Complet	Patin Ass.		2	2	2											

ESSIEU AVANT.

FRONT AXLE.



No. ILLUS.	NEW PART. No. NOUVEAU	ESSIEU AVANT	FRONT AXLE	MOD	MARK 0	225	MARK 0	246	MARK 0	295										
					DESCRIPTION															
1	S-69-01-010	Roue d'engrenage 23 Dt.	Sproket 23 Dt.		1		1													
--	S-69-01-013	Roue d'engrenage 38 Dt.	Sproket 38 Dt.																	
2	S-00-08-002	Coussinet à Bille.....	Ball Bearing.....		2		2													
3	S-04-01-019	Joint d'etancheite	Grease Seal		1		1													
4	S-04-01-026	Engrenage Plastique	Drive Sproket (Plastic)		2		2													
5	S-00-06-001	Goupille	Roll Pin.....		4		4													
6	S-04-01-033	Essieu	Shaft		1		1													
7	S-00-14-002	Adapteur	Speedo Joint		0	P	0	I	0	N										
8	S-00-03-004	Ecroû	Nut		4		4													
9	S-04-01-010	Chapeau Coussinet	Bearing Housing		1		1													
--	S-04-01-008	Chapeau Coussinet	Bearing Housing		0	P	0	I	0	N										
10	S-00-01-010	Boulon	Bolt		4		4													
11	S-00-15-002	Cable Adapteur	Adaptor Cable		0	P	0	I	0	N										
12	S-73-01-002	Rectificateur vitesse	Angle Drive		0	P	0	I	0	N										
13	S-73-01-033	Enveloppe Cable Vitesse ..	Housing Cable		0	P	0	I	0	N										
14	S-73-01-034	Cable Vitesse	Cable		0	P	0	I	0	N										
--	S-73-01-001	Cable Vitesse Complet	Speed Cable Ass.		0	P	0	I	0	N										
15	S-00-19-002	Bouchon Liège	Plug		1		1													
16	S-00-09-002	"Snap Ring"	Snap Ring		1		1													
--	S-13-01-026	Ensemble Cable Vitesse	Kit Speedo Cable		0	P	0	I	0	N										

LORSQUE VOUS COMMANDEZ DES PIÈCES DE RECHANGE, VEUILLEZ TOUJOURS INDIQUER:

1. Le numéro de la pièce indiqué dans cette liste.
2. La description de la pièce.
3. Le numéro de modèle au complet.

IMPORTANT

Cette liste de pièces de rechange possède une valeur réelle, car elle vous permet de vous procurer à tout moment les pièces de rechange appropriées. Aussi, nous vous conseillons de la conserver en lieu sûr, avec vos papiers importants.

Pour obtenir ces pièces, prière de vous adresser à votre distributeur.

WHEN ORDERING REPAIR PARTS ALWAYS GIVE THE FOLLOWING INFORMATION:

1. The Part Number in the list.
2. The Description in the list.
3. The complete Model Number.

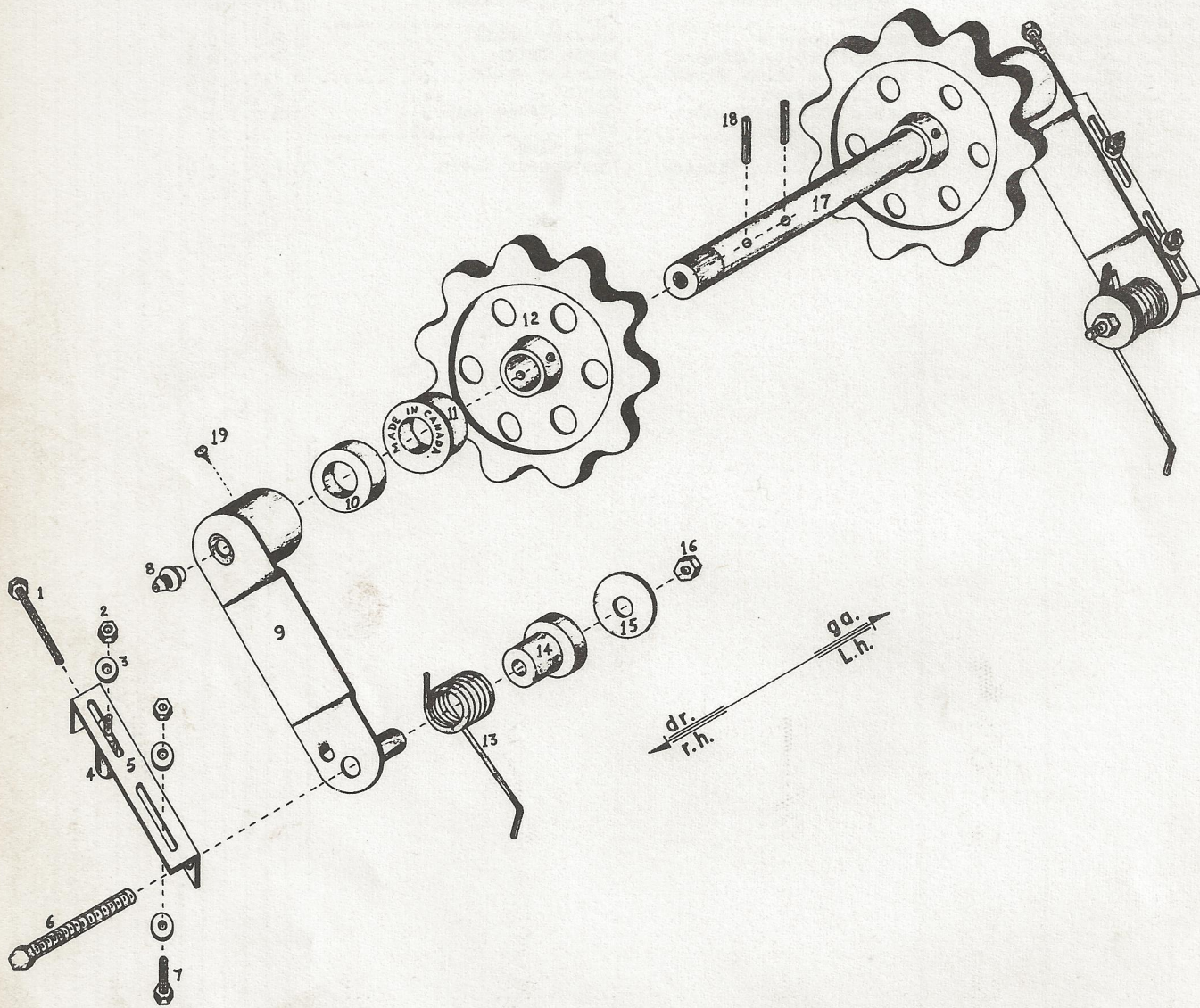
IMPORTANT

This list is valuable. It will assure your being able to obtain proper service parts at any time. We suggest you keep it with other valuable papers.

Please order these parts from your local distributor.

ESSIEU ARRIERE COMPLET.

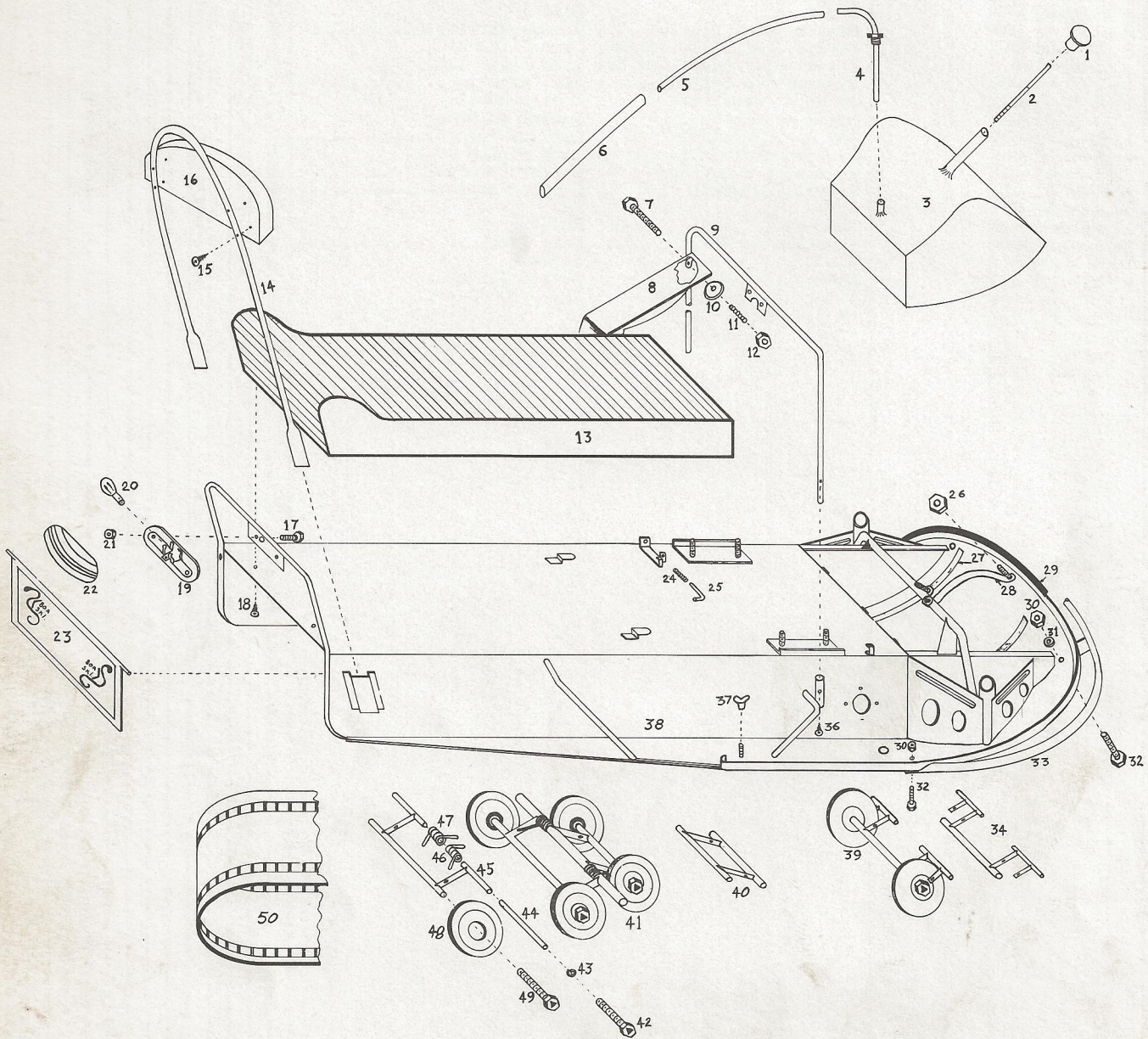
COMPLETE REAR AXLE.



NO. ILLUSTR.	NEW PART. No. NOUVEAU	ESSIEU		COMPLETE	MOD. MARK 0 225	MARK 0 246	MARK 0 295											
		ARRIERE	COMPLET	REAR AXLE														
DESCRIPTION																		
1	S-00-01-008	Boulon		Bolt	2	2	2											
2	S-00-03-002	Ecrou		Nut	4	4	4											
3	S-00-12-002	Rondelle		Flat Washer.....	6	6	6											
4	S-64-01-001	Boulon D'ajustement		Adjusting Bolt	2	2	2											
5	S-04-01-013	Angle d'ajustement Dr.		Adjusting Angle R.H.	1	1	1											
--	S-04-01-014	Angle d'ajustement Ga....		Adjusting Angle L.H.....	1	1	1											
6	S-00-01-009	Boulon		Bolt	2	2	2											
7	S-00-01-007	Boulon		Bolt	2	2	2											
8	S-00-04-001	Graisneur		Grease Fitting	2	2	2											
9	S-04-01-015	Plaque d'articulation Dr.		Link Plate R.H.	1	1	1											
--	S-04-01-016	Plaque d'articulation Ga.		Link Plate L.H.	1	1	1											
10	S-00-08-001	Coussinet à Bille		Ball Bearing	2	2	2											
11	S-04-01-019	Joint d'etancheite		Grease Seal	2	2	2											
12	S-04-01-022	Engre Nage Caout.		Rubber Sproket	2	2	2											
13	S-64-01-002	Ressort d'articulation Dr.		Link Spring R.H.....	1	1	1											
--	S-64-01-003	Ressort d'articulation Ga.		Link Spring L.H.	1	1	1											
14	S-04-01-012	Coussinet caoutchouc		Rubber Bushing	2	2	2											
15	S-04-01-011	Rondelle d'arrêt		Forming washer.....	2	2	2											
16	S-00-03-003	Ecrou		Nut	2	2	2											
17	S-04-01-034	Essieu		Shaft	1	1	1											
18	S-00-06-001	Goupille de Tension		Roll Pin.....	4	4	4											
19	S-00-07-002	Vis		Screw	2	2	2											
--	S-04-01-037	Essieu Arr. Complet		Rear Axle Ass.	1	1	1											

CHASSIS

BODY



No. ILLUS.	NEW PART No NOUVEAU	CHASSIS	BODY	MOD	MARK 0	225	MARK 0	246	MARK 0	295
					0		0		0	
DESCRIPTION										
1	S-70-01-007	Bouchon Réservoir	Fuel Tank Cap	1	1	1	1	1	1	1
2	S-70-01-004	Jauge à essence	Fuel Dip Stick	1	1	1	1	1	1	1
3	S-70-01-008	Réservoir à essence	Fuel tank	1	1	1	1	1	1	1
4	S-10-01-007	Adaptateur	Fuel Line Adaptor	1	1	1	1	1	1	1
5	S-10-01-009	Ligne à essence	Fuel Line	1	1	1	1	1	1	1
6	S-10-01-006	Isolateur	Insulation.....	1	1	1	1	1	1	1
7	S-00-01-017	Boulon	Bolt	1	1	1	1	1	1	1
8	S-01-01-108	Garde Poulie	Clutch Guard	1	1	1	1	1	1	1
9	S-07-01-029	Support Conduite	Handle Bar Yoke	1	1	1	1	1	1	1
10	S-01-01-110	Rondelle	Washer	1	1	1	1	1	1	1
11	S-00-05-001	Ressort	Spring	1	1	1	1	1	1	1
12	S-00-03-007	Ecrou	Nut.....	1	1	1	1	1	1	1
13	S-11-01-009	Siège	Seat	1	1	1	1	1	1	1
14	S-11-01-008	Support Dossier	Back Rest Bar	1	1	1	1	1	1	1
15	S-00-07-002	Vis.....	Screw.....	4	4	4	4	4	4	4
16	S-71-01-005	Dossier	Back Rest	1	1	1	1	1	1	1
17	S-11-01-007	Dossier complet	Back Rest Ass.	1	1	1	1	1	1	1
18	S-00-01-033	Boulon	Bolt	2	2	2	2	2	2	2
19	S-00-07-002	Vis	Screw	2	2	2	2	2	2	2
20	S-00-13-001	Lumière Arr.(receptacle)	Tail Light	1	1	1	1	1	1	1
20	S-00-13-015	Ampoule	Lamp.....	2	2	2	2	2	2	2
21	S-00-03-009	Ecrou	Nut	2	2	2	2	2	2	2
22	S-00-13-017	Vitre Lumière Arr.	Tail Light lens.....	1	1	1	1	1	1	1
23	S-01-01-149	Garde Neige	Snow Flap	1	1	1	1	1	1	1
24	S-00-05-001	Ressort	Spring	1	1	1	1	1	1	1
25	S-01-01-105	Barrure	Lock (Clutch Guard).....	1	1	1	1	1	1	1
26	S-00-03-004	Boulon	Bolt	1	1	1	1	1	1	1
27	S-99-22-001	Bande Adhesive	Strip (Perma Stick)	36	36	36	36	36	36	36
28	S-01-01-117	Attache Réservoir	Fuel Tank Holder.....	1	1	1	1	1	1	1
29	S-01-01-148	Moulure "Jiffy"	Trim "Jiffy"	1	1	1	1	1	1	1
30	S-00-03-002	Ecrou	Nut	4	4	4	4	4	4	4
31	S-14-01-030	Rondelle.....	Flat Washer	4	4	4	4	4	4	4
32	S-00-01-007	Boulon	Bolt	4	4	4	4	4	4	4
33	S-14-01-035	Pare Choc Avant	Front Bumper	1	1	1	1	1	1	1
34	S-05-01-020	Demi Suspension Ass.	Half Suspension.....	1	1	1	1	1	1	1
36	S-00-07-002	Vis	Screw	2	2	2	2	2	2	2
37	S-00-03-010	Noix à Ailette	Wing Nut	2	2	2	2	2	2	2
38	S-01-01-125	Chassis	Body.....	1	1	1	1	1	1	1
--	S-01-01-144	Chassis	Body	1	1	1	1	1	1	1
39	S-05-01-022	Demi Suspension Complète	Half Suspension Complete	1	1	1	1	1	1	1
40	S-05-01-005	Support Intérieur	Internal Support.....	2	2	2	2	2	2	2
41	S-05-01-021	Suspension Complète	Complete Suspension	2	2	2	2	2	2	2
42	S-00-01-005	Boulon	Bolt	6	6	6	6	6	6	6
43	S-00-12-001	Rondelle Sécurité	Lock Washer	6	6	6	6	6	6	6
44	S-05-01-023	Arbre	Aluminum Shaft	3	3	3	3	3	3	3
45	S-05-01-024	Support Extérieur	External Support	2	2	2	2	2	2	2
46	S-65-01-001	Ressort Dr.....	Spring R.H.....	3	3	3	3	3	3	3
47	S-65-01-002	Ressort Ga.	Spring L.H.	3	3	3	3	3	3	3
48	S-00-19-015	Roue Caoutchouc	Buggie Wheel	10	10	10	10	10	10	10
49	S-00-01-006	Boulon.....	Bolt.....	10	10	10	10	10	10	10
50	S-03-01-045	Chenille	Track	1	1	1	1	1	1	1